



## NGF SERIES

**Heavy Duty  
Automatic  
Sliding Door  
Operators for  
Aluminium Doors**

**STRONGER, QUIETER, COMPACT**

# NGF

## Framless Glass Operating System



- 1 ADIS unique environmental protection cover.
- 2 ADIS digital microprocessor controlled drive module which contains all of the operating component in a single housing for ease of service and maintenance.
- 3 Heavy duty concave track wheels 6 wheels per door.
- 4 High tension reinforced fibre toothed belt for quiet operation and maximum performance.



### Operation

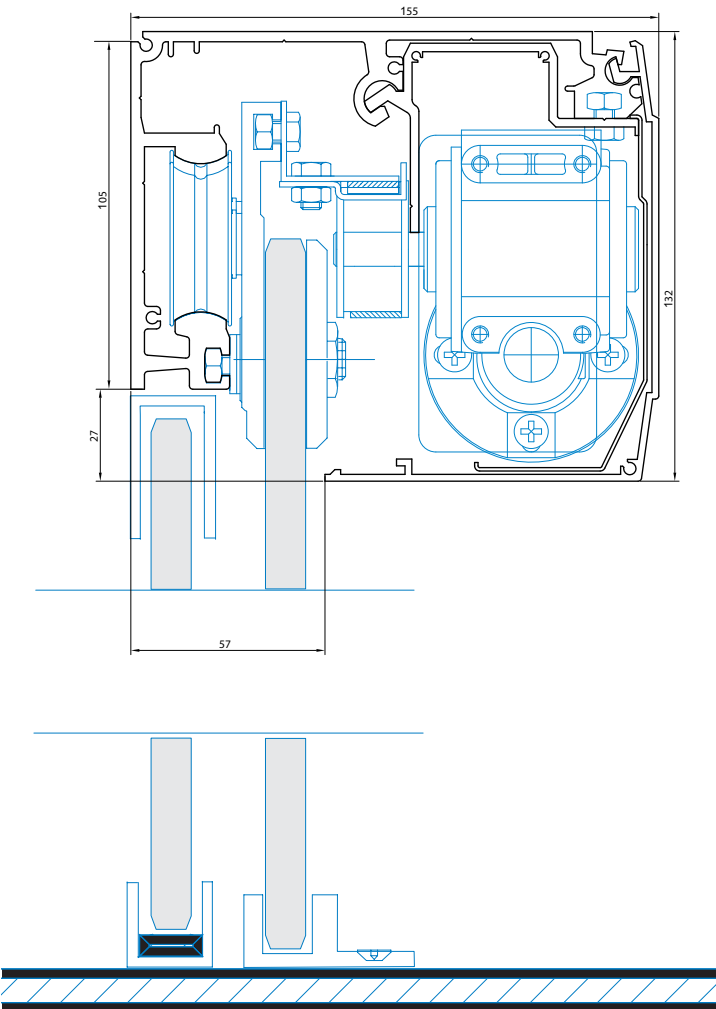
The Automatic Door Operator is a full electric drive, housed in an extruded aluminium low profile transom section (Height 132mm x Width 155mm) is Australian made by an Australian owned company, complies to AS4085-1992, has a class 3 rating, to suit bi-parting or single sliding doors.

The equipment incorporates an electronic DC Motor with a built-in optical sensor for precise movement, high torque and a maintenance-free life.



### Advanced Technology

ADIS utilizes the latest in digital microprocessor technology, giving the control unit multiple programmable modes including: - provision to interface with building security systems, monitoring the door position and lock status, built-in battery. The microprocessor operating parameters can be adjusted to accommodate various climatic conditions and specific site requirements in relation to speed, braking etc.



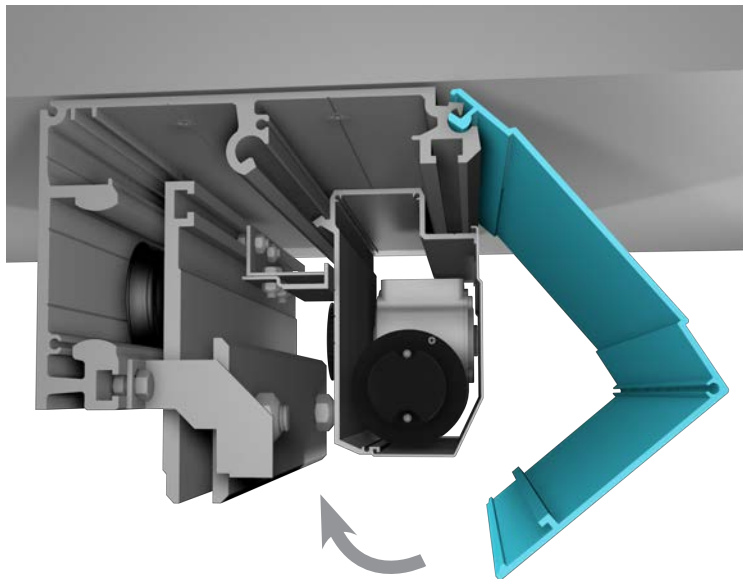
The multifunctional microprocessor control unit shall feature the following:

- Self-calibrating and programmable modes
- Fully compensates door weight and friction, therefore, delivering the optimum force for efficient operation
- Provision for full interfacing with building security/alarm systems
- Open speed control
- Closing speed control
- Brake control: preventing the doors from slamming shut
- End position-damping control for the accurate slow down of door movement
- Optional built-in UPS (uninterrupted power supply) for the continued operation of the door under power failure.
- The option of solar power provision included.

## Pelmet Hinge

The ADIS pelmet design features a unique interlocking hinge to provide secure closure and maximum cover even when mounted hard up against the ceiling.

The design enables the operator to be fitted flush to the ceiling when required, while the pelmet may be opened fully or removed for access.



## Safety is a priority

The ADIS microprocessor will automatically reverse operation while the door is closing, should the doors be obstructed. Active infrared safety sensors are included to focus across the doorway to halt and open the doors immediately upon the sensor detecting an obstruction. Sensitivity setting is programmable.

## High Security Locking

Electric lock option is Standard giving total security and can be adapted where manual locking can not be achieved, i.e. frameless toughened glass doors.

The microprocessor monitors all aspects of the locks functions e.g. to ensure the door is fully closed when the lock is engaged.



During a power failure or emergency, the fail-safe device will fully open the doors. The fail-secure mode will close and secure the doors.

Terminal outputs are available to signal to security systems both door position and lock status. The microprocessor is also self-diagnosing.

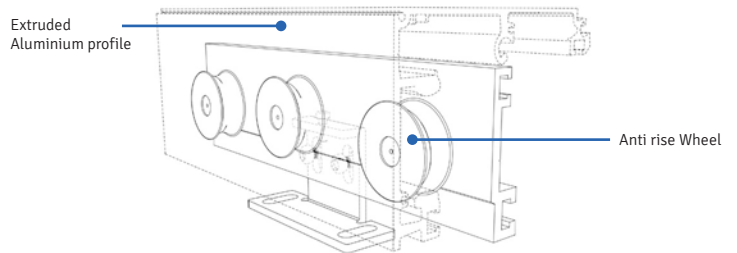
Provision for climate control is available. Door opening can be restricted to 50% of normal operating with during high winds or harsh weather conditions.

Dual sets of sun-resistant P.E. light cells can be flush-mounted in the door jambs to prevent doors from closing if the threshold area is obstructed. Fitting of P.E. light cells are at 150mm and 600mm from finished floor level.

Door drive shall be by way of toothed belt reinforced with fibreglass tensile members, incorporating nylon facing surface for pulley tooth protection, for silent and service-free operation.

## Quiet Operation

The tracking system is a dual linear track designed for accuracy and long service life fitted with anti rise wheels with no possibility of doors disengaging off tracks. The upper track is made of harder and stronger alloy and is replaceable.



Tracking System

## Functions

The following functions can be selected through your wall-mounted key switch or options board:

**AUTO**

In this mode the doors will open and close automatically subject to the sensors activating upon the approach of pedestrians.

**HOLD OPEN**

The door will open and stay open allowing access for furniture removal or cleaning of glass, if the door shows any form of malfunction this mode should be selected to ensure pedestrian safety until repaired.

**CLIMATE**

The selection of this mode restricts the doors from opening to half its normal position, this pre-set feature aids the loss of A/C or lowers wind penetration; the restricted position is adjustable by a technician.

**LOCK**

This mode will bring the doors to the closed condition, deactivating the sensors allowing the doors to be manually locked. If electric locking system is fitted the doors will dead lock awaiting activation by the exit push button and an access control system (Supplied by others).

**EXIT ONLY**

The external sensor is disabled allowing only operation from the interior; this mode is used to control traffic restricting Access.

**OFF**

In this mode the motor control of the door is set to neutral, allowing manual operation of the doors.

### SENSORS

Overhead mounted activation sensors come as infrared or microwave to open the doors as a person approaches the doorway.

### BATTERY UPS

A Lithium battery UPS back up power supply ensures that the door operates for up to 28 hours during a power failure.

### PROXIMITY

A transmitter can be detected 1, 2 or 3 metres from the doorway allowing selective use of the door to just the one who needs it.

### WIRELESS REMOTE CONTROL

Hand held remote controls can open and close doors plus secure them locked.

### NUMERIC KEYPAD

Digital keypads allows access to selected people whilst the doors are locked.

## NGF OPERATING SYSTEM OPTIONS



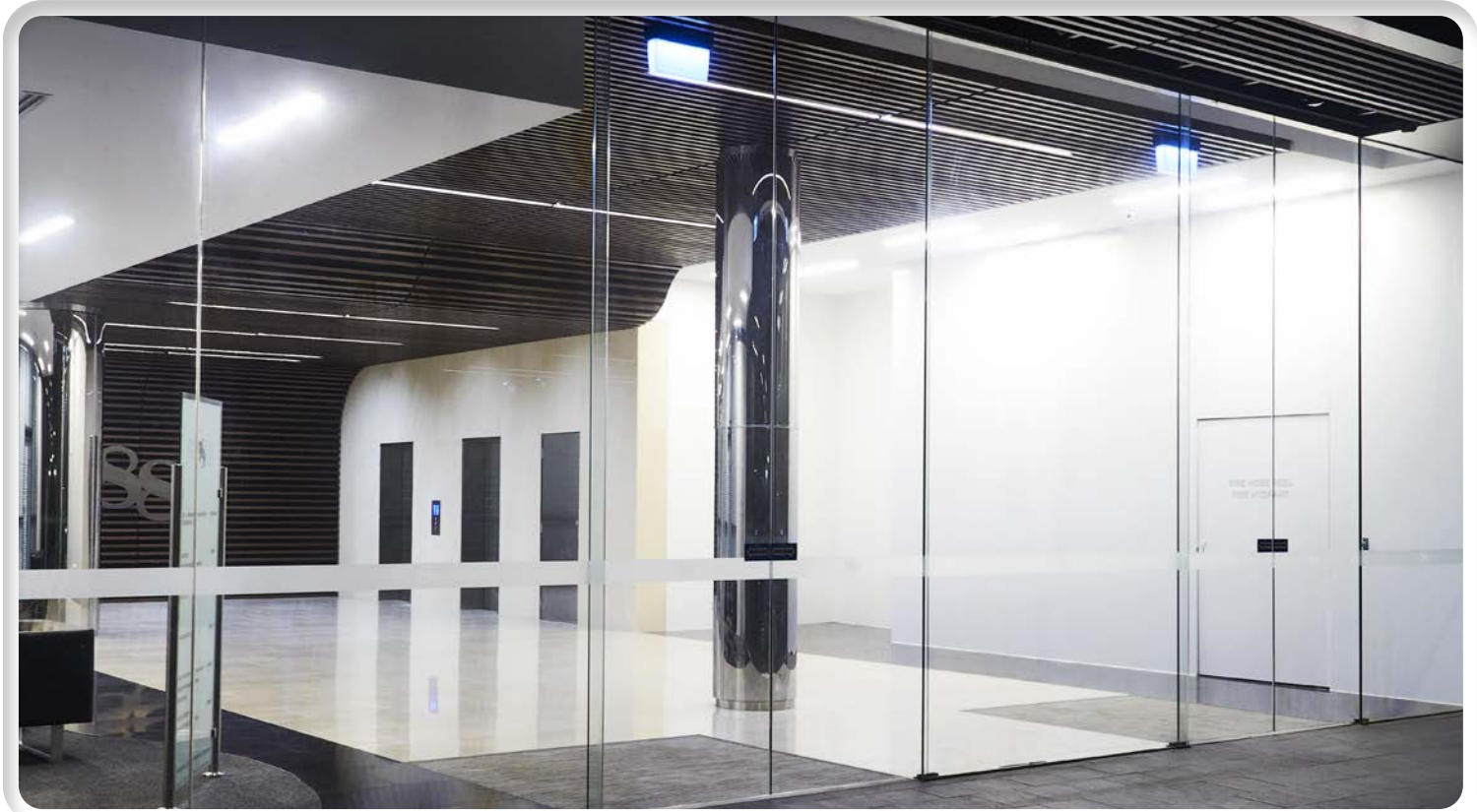
## ZERO TOUCH ENTRY SOLUTIONS

Cross-contamination from using entry doors is an essential factor in transmitting contagious viruses and harmful bacterias.

ADIS Automatic swing and sliding doors can eliminate this risk, especially for essential facilities like Medical Centers, Aged Care, Child Care and Hospitals.

Our Door Entry Automation Solutions will work on most existing doors frame or frameless. Most importantly, it is affordable, reliable and cost-effective.

Our service team will do all the necessary measurements and quotations obligation FREE, so you have nothing to lose.



**Zero-touch**  
automatic door entry, **100%**  
**cross-contamination FREE**  
entry door!

## Compare ADIS Advantages

- NATA tested with 300kg doors to comply with Australian Standards
- ADIS is Australian owned and Australian manufactured.
- Slim line modern design only 132 mm in overall track height.
- Compact modular design of motor drive system.
- Latest digital microprocessor controller to gain more exact control of the door operator.
- Provision to interface with building security and fire systems.
- Over engineered to take total door weights of up to 300Kg (max single leaf door weight of 150 Kg).
- The main transom housing is hard coated anodized to give smooth operation of the exclusive dual track system.
- No exposed wiring due to concealed wiring system.
- UPS Lithium (Uninterrupted Power Supply) can allow doors to continue to operate under a power failure. This optional extra allows the ADIS NGF operator to work 800 cycles or 28hours after disruption
- Improved multiple safety features to ensure maximum user safety.
- High security electric motor locking system with battery reserve back up.
- Zone activation sensor system that uses latest presence detection technology to improve overall safety.
- Unique interlocking cover pelmet which prevents any chances of pelmet cover dislodging from the main track system. An added safety feature.

## Technical specifications

Opening width maximum	4000 mm
Operator length up to	8000 mm
Total combined weight for biparting doors	300 Kg
Door weight per leaf	150 Kg
Opening speed per double leaf variable	25-1300 mm/s
Closing speed per double leaf variable	25-1300 mm/s
Door open dwell time, variable	0-60 sec
Manual opening/ closing force	<30 N
Operator size height/depth	132 mm / 155 mm
Fail safe	Yes
High security electric locking	Standard
Lock every cycle option when motor lock used	Yes
Press closed function	Yes
Climate control (reduced opening) function	Yes
Noise attenuation	32 db
Keypad control	Yes
Safety stop	Yes
Safety return	Yes
Safety beam shut off when closed	Yes
Fire alarm activation	Yes
Chime outlet	Yes
Exit only function	Yes
Battery Backup	Yes
UPS Lithium in all conditions	Optional
Closed positional signal	Yes
Operator monitor signal	Yes
Open closed positional signal	Yes
Memory setting retained without power	Yes
Operating Power	24 Volts
Appliance Rating	40 Watts
Power supply	240V/10Amp
4Kva power surge suppression	Yes

## ADIS AUTOMATIC DOORS is a fully Australian owned and operated company.

The name ADIS simply means, Automatic Door Installation Services. The company has over 35 years of experience in the Automatic Doors Industry.

ADIS philosophy is to provide a high quality product at a competitive price backed by the highest standard service to achieve total customer satisfaction. The introduction of the Next Generation Series of Automatic Door operators is a major advancement in automatic door technology for the Australian and global automatic

door markets. This series includes the most advanced features available worldwide. ADIS research and design team have developed the NG series of door equipment to ensure maximum performance, durability and reliability, full compliance with Australian Standards AS 5007-2007.

ADIS Automatic Doors have been successful in achieving the AUSTRALIAN DESIGN AWARD for excellence in product design & excellence in product efficiency.



3/413 Victoria Street - Wetherill Park NSW 2164 Australia - Phone: +612 9757 4600 - Fax: +612 9757 4233  
TOLL FREE Phone: 1800 600 602 - Toll Free Fax: 1300 ADIS FAX  
Email: info@autodoors.com.au

Visit our website:  
[www.autodoors.com.au](http://www.autodoors.com.au)