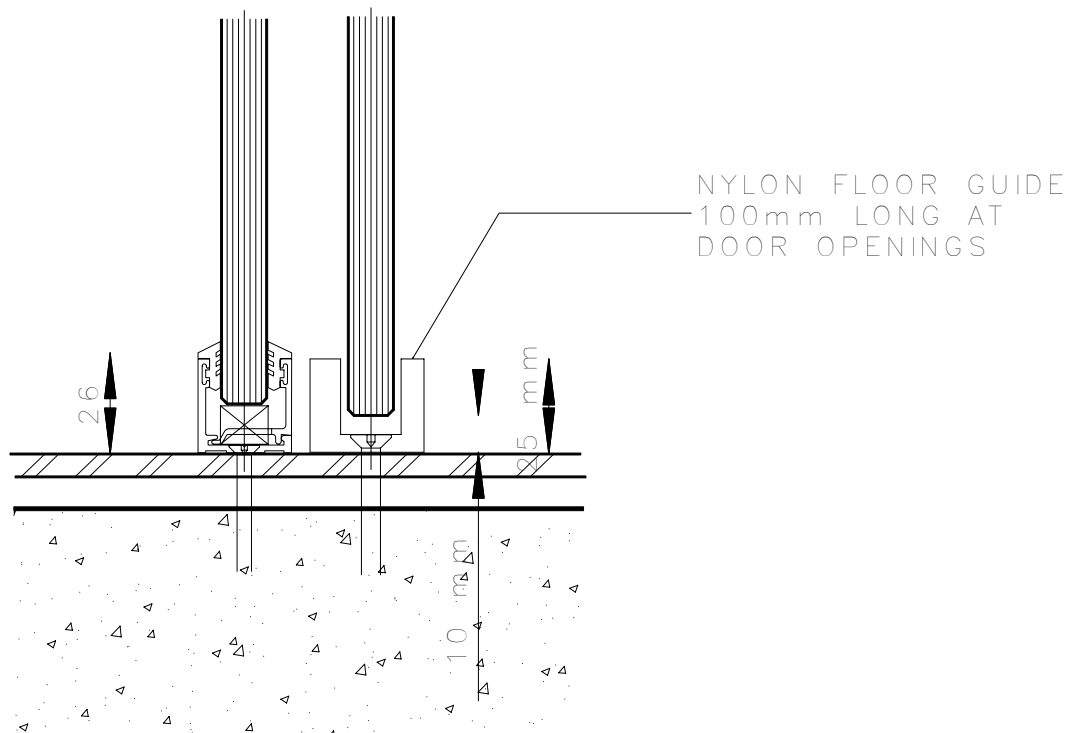
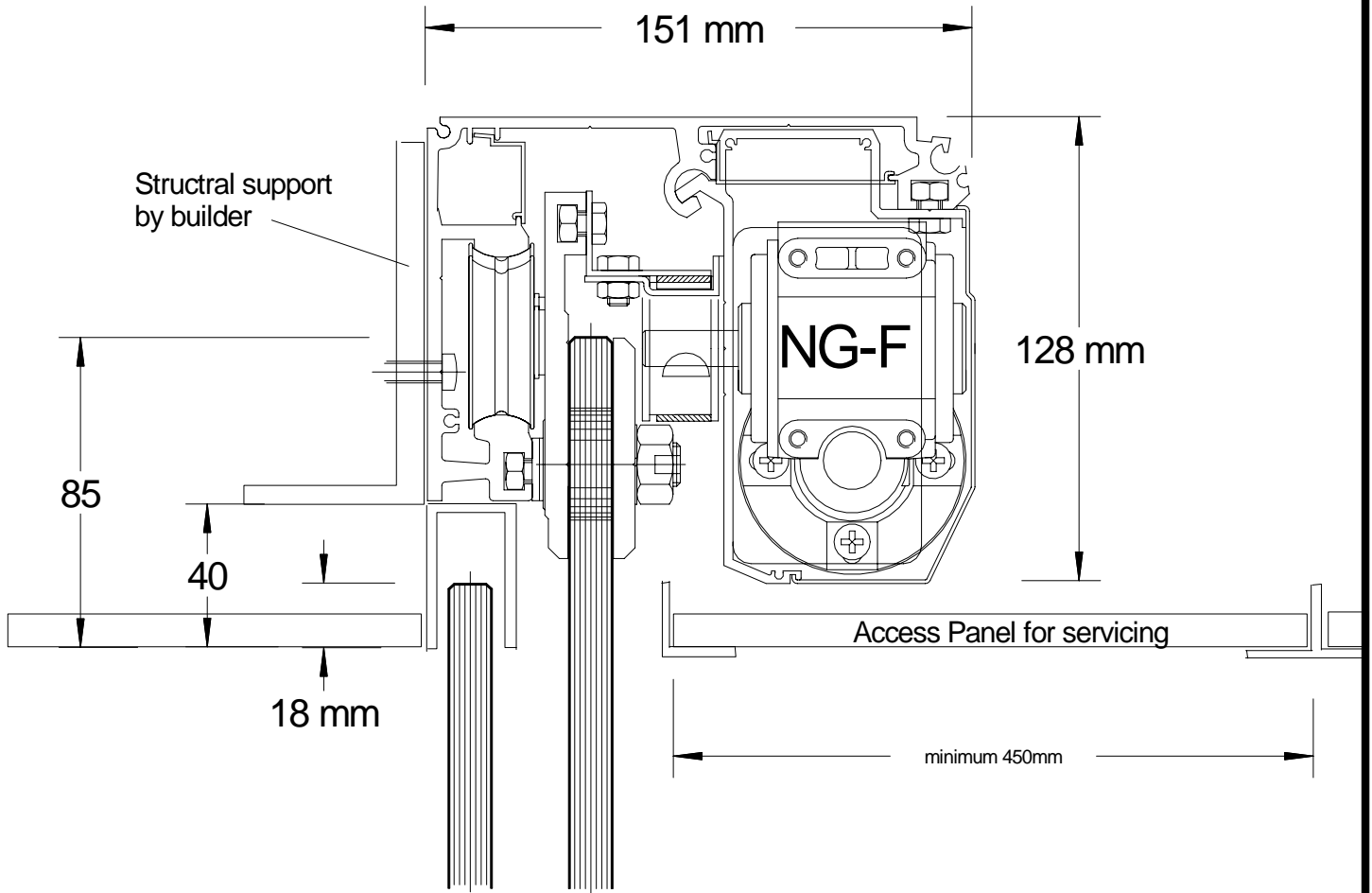


ADIS

Model NG-F S/BH

CONCEALED IN CEILING



SCALE 1:2

