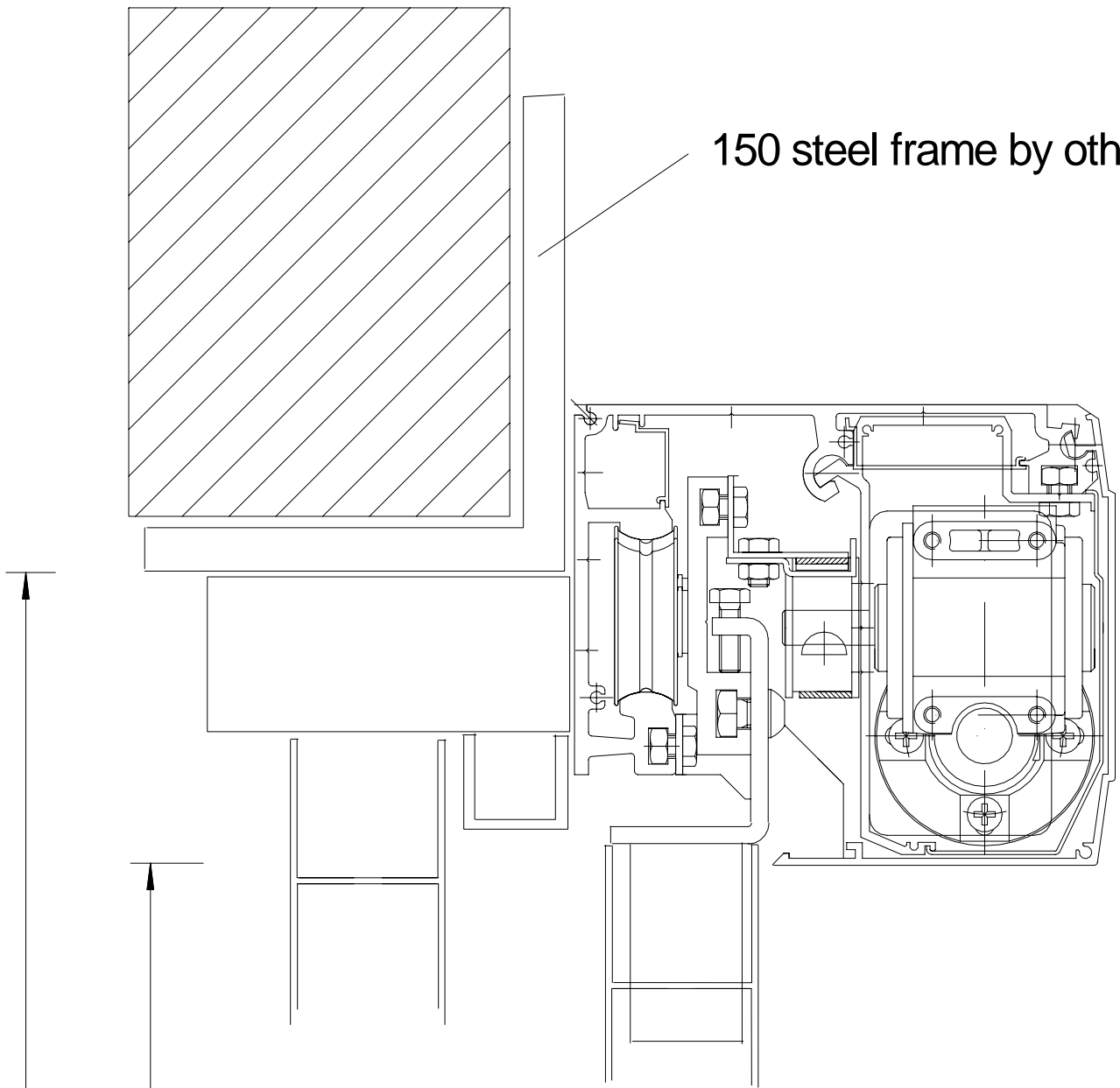
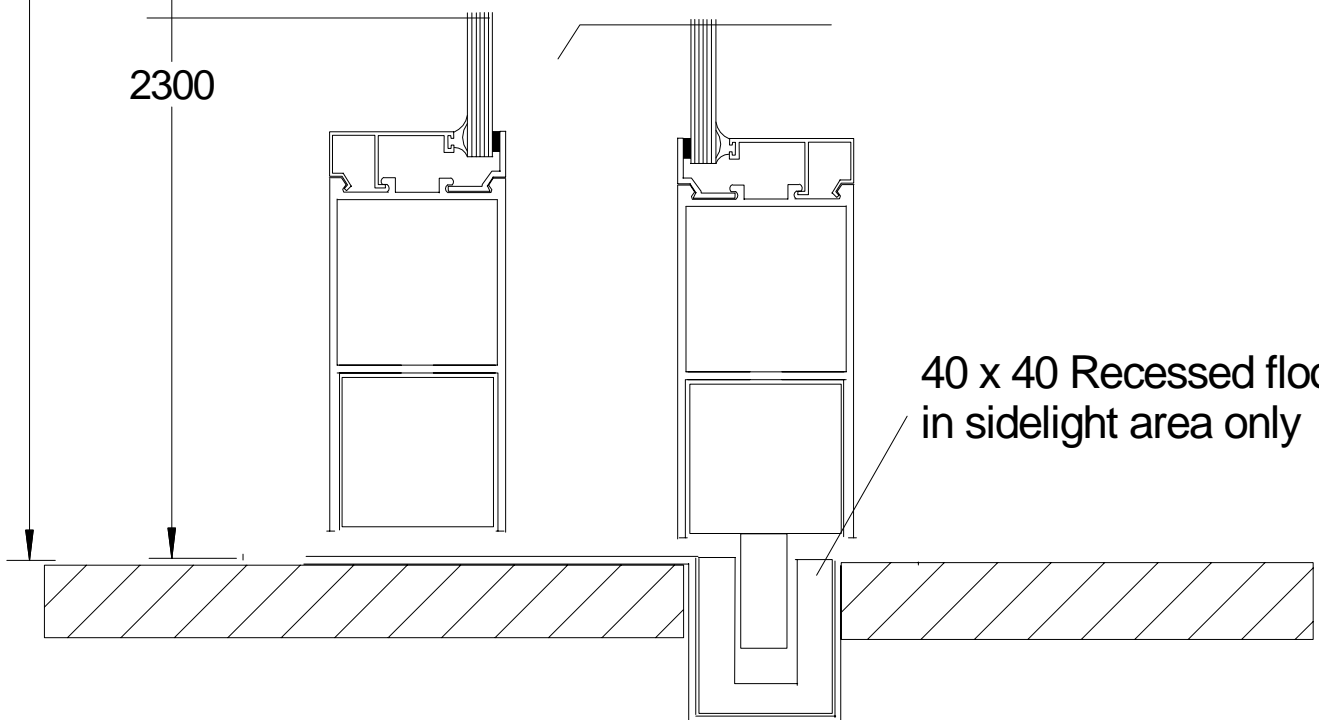


150 steel frame by others



2375

2300



40 x 40 Recessed floor guide
in sidelight area only

15mm

