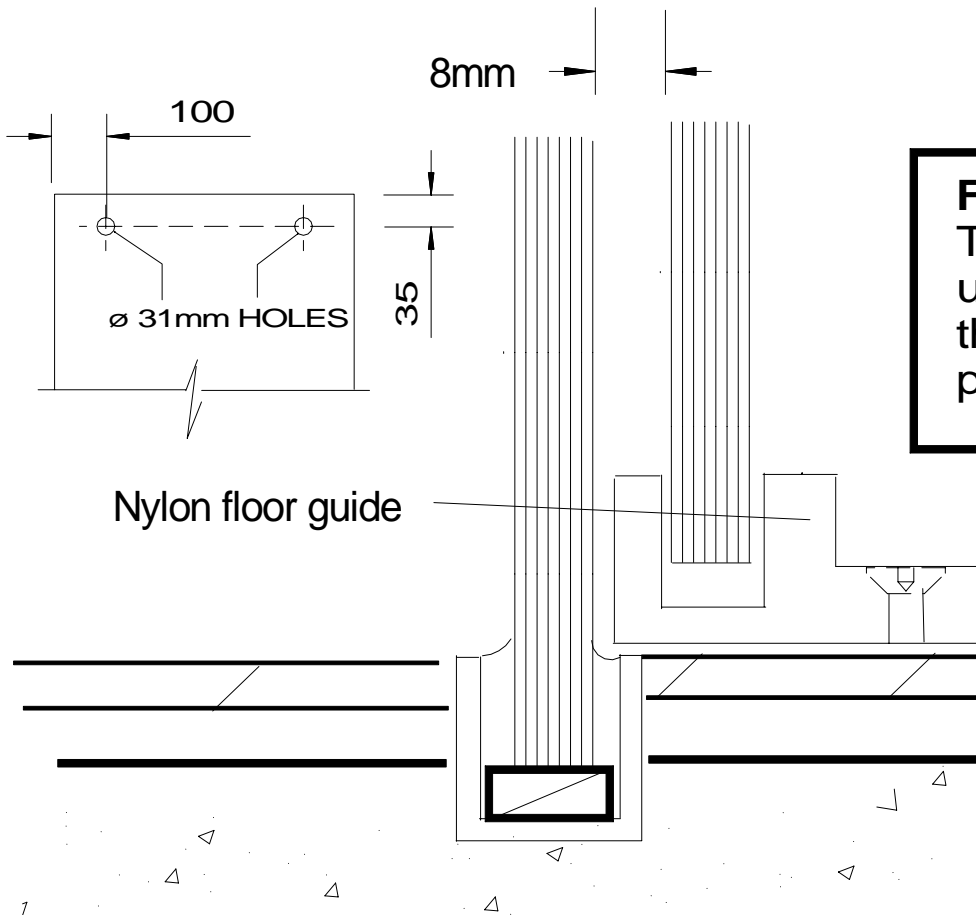
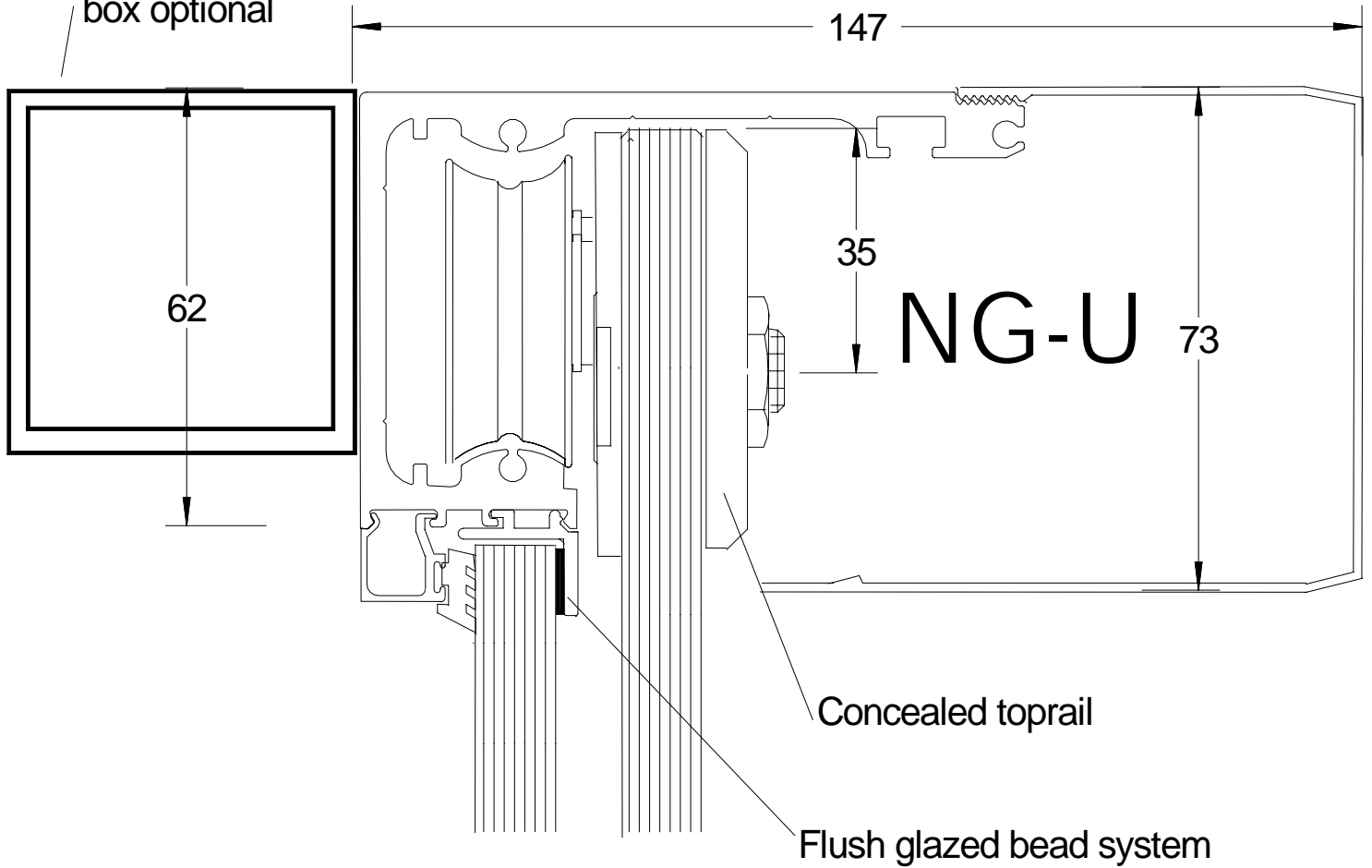


ADIS

NG-U/F Ultrathin

Frameless glass sliding door operator

Structural support
box optional



Formula for door height:
The distance from the underside of pelmet to the highest floor point plus 57mm.= DH

