

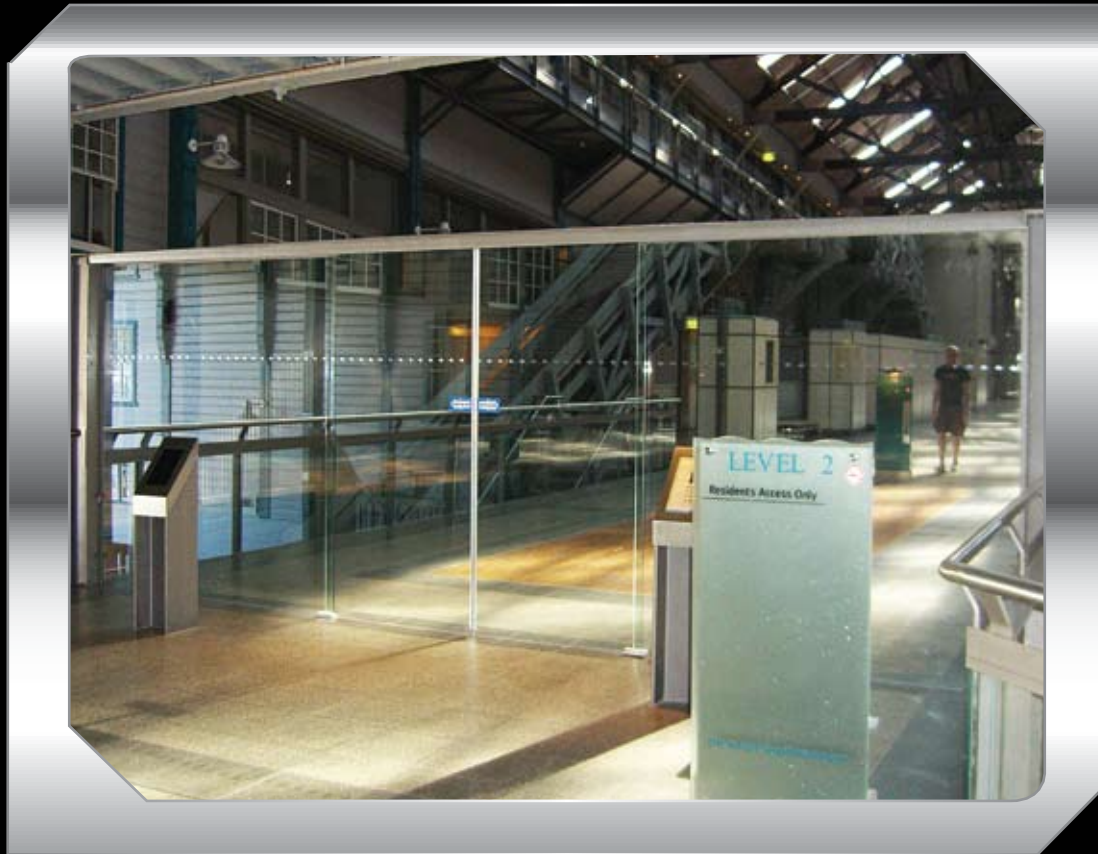
ADIS

A U T O M A T I C D O O R S

I N T R O D U C E S

NGU SERIES

ULTRASLIM 73 MM AUTOMATIC SLIDING DOOR OPERATOR



Stylish minimalist look ▶ Concealed door top rails
▶ Innovative design reducing components size
whilst delivering maximum efficiencies



The AUSTRALIAN Automatic Door Company

The Company

ADIS AUTOMATIC DOORS is a fully Australian owned and operated company.

The name ADIS simply means, Automatic Door Installation Services. The company has over 35 years of experience in the Automatic Doors Industry.

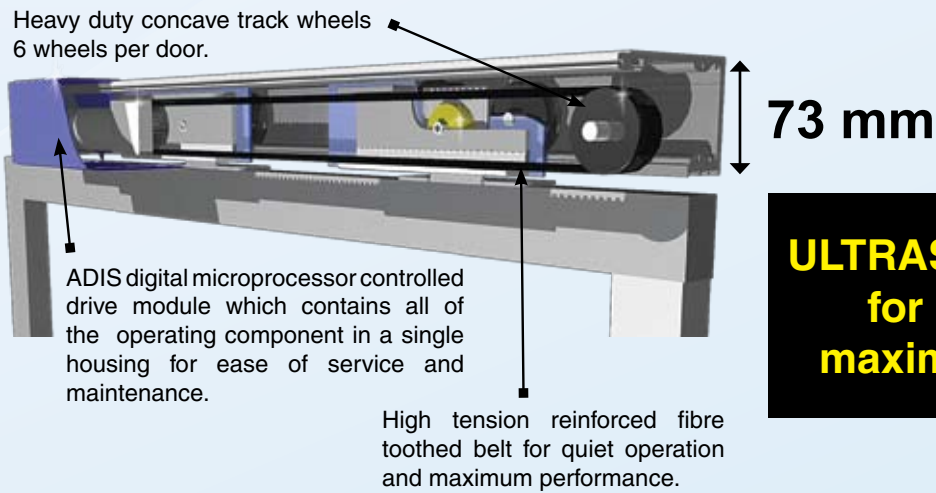
ADIS philosophy is provide a high quality product at a competitive price backed by the highest standard of back up service to achieve total customer satisfaction. The introduction of the Next Generation Series of Automatic Door operators is a major advancement in automatic doors technology in the Australian and global automatic door markets. This series includes the most advanced features available in the world.

ADIS research and design team have developed the NG series of door equipment to ensure maximum performance, durability and reliability, plus compatibility with the new Australian Standard AS 5007-2007 and European Standard DIN 18650-1:2005.

ADIS Automatic Doors have been successful in achieving the AUSTRALIAN DESIGN AWARD for excellence in product design & excellence in product efficiency.



**NG ULTRASLIM
Framed and Frameless
Automatic Doors**



**ULTRASLIM 73 mm profile
for minimal look &
maximum performance**

Advanced Technology

ADIS have utilized the latest in digital microprocessor technology and motor design to achieve the ultimate slim design door tracking system of only **73 mm** in height. The NG Ultraslim delivers maximum performance and reliability in a compact track housing, whilst still providing all the features of the revolutionary NG series door operators.

The door control unit offers multiple programmable modes includes: auto/lock/exit/hold open/climate. Other provisions include: interface with building security system, monitoring of the doors position and locks status, built-in UPS, monitoring of door safety systems and fire control interface.

The microprocessor operating parameters can be adjusted to accommodate various climatic conditions and specific site requirements in relation to speed, braking etc. Safety is a priority: The ADIS microprocessor will automatically reverse operation while the door is closing, should the doors be obstructed. Photo electric or active infrared safety sensors are recommended to focus across the doorway to halt and open the doors immediately upon the sensor detecting an obstruction.

Quiet Operation

Tracking system is dual linear, which is designed for high security and long life service. The carriage assemblies are fitted with unique track wheels that eliminates the possibility of the doors disengagement from the track.

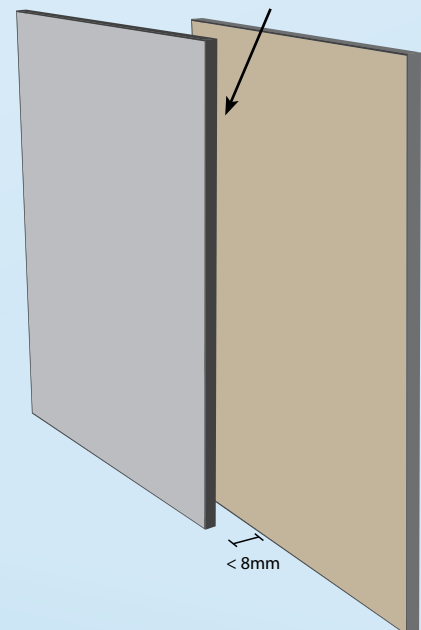
High Security Locking

The Next Generation Series operators utilizes a purpose built motor which includes an electric locking system to ensure that the doors can be securely fixed in any position. This method of locking ensures the highest level of security.

Features:

- ULTRASLIM Modern Design
- Australian Made
- Designed for New Standards
- Compact Modular Motor Design
- High Security Electric Locking
- No Exposed Wiring
- Energy Efficient Low Power Consumption

Minimal gap between door & sidelight



Reduces Door Hazards

The NGU frameless glass door operator has a unique design feature that minimises the gap between the glass door and the side light.

Dimension between the panels can be reduced to <8mm in compliance with AS5007 requirement to safe guard against draw in hazard.

COMPARE ADIS ADVANTAGES

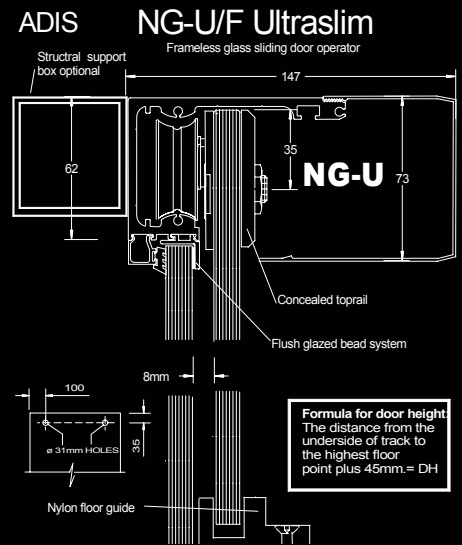
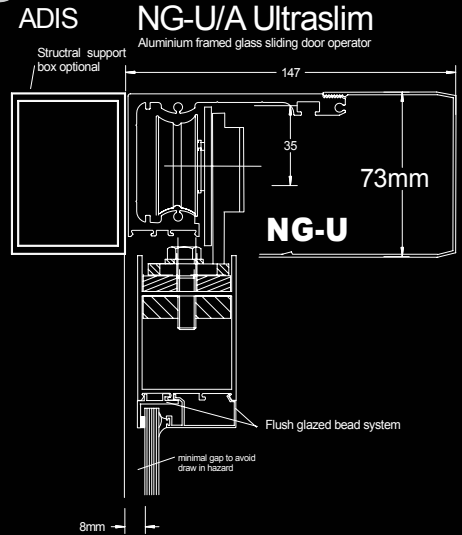
- ADIS is Australian owned and Australian manufactured.
- ULTRASLIM modern design only 73 mm in overall track height.
- Compact minimalist modular design of motor drive system.
- Latest digital microprocessor controller to gain more exact control of the door operator, Provision to interface with building security systems.
- Over engineered to take total door weights of up to 160Kg (max door weight of 80 Kg).
- The main transom housing is hard coated anodized to give smooth operation of the exclusive dual track system.
- No exposed wiring due to concealed wiring system.
- Built in UPS (Uninterrupted Power Supply) can allow doors to continue to operate under a power failure when doors are locked. This is a standard feature in ADIS NGA operator not an extra.
- Improved multiple safety features to ensure maximum user safety.
- High security electric motor locking.
- Zone activation sensor system that uses latest presence detection technology to improve overall safety.
- Unique design flushed glazed feature for frameless glass doors to minimize gap between door and side light to less than 8mm to conform with AS5007 requirement to safe guard against draw in hazard.

BACK UP SERVICE

- Fully qualified technicians to meet our high standard of company service.
- A complete 24 hour, 7 days a week, ongoing preventive maintenance service.
- Extensive nationwide service network via our 1800 number.

TECHNICAL SPECIFICATIONS

Opening width maximum	4000 mm	Safety beam shut off when closed	Yes
Operator length up to	8000 mm	Fire alarm activation	Yes
Total combined weight for biparting doors	240 Kg	Chime outlet	Yes
Door weight per leaf	130 Kg	Exit only function	Yes
Opening speed per double leaf variable	25-1300 mm/sec	Battery Backup	Yes
Closing speed per double leaf variable	25-1300 mm/sec	UPS when locked	Yes
Door open dwell time, variable	0-60 sec	UPS in all conditions	Optional
Manual opening/ closing force	<30 N	Open closed positional signal	Optional
Operator size height/depth	73mm / 147 mm	High security electric locking	Optional
Fail safe/ fail secure	Yes / Yes	Locked / unlocked signal	Yes
Airlock function	Yes	Open closed positional signal	Yes
Press closed function	Yes	Memory setting retained without power	Yes
Climate control (reduced opening) function	Yes	Operating Power	24 Volts
Noise attenuation	32 db	Appliance Rating	40 Watts
Keypad control	Optional	Memory setting retained without power	Yes
Safety stop	Yes	Power supply	240V/10Amp
Safety return	Yes	Solar power operation	Optional



3/413 VICTORIA STREET - WETHERILL PARK NSW 2164 AUSTRALIA

PHONE: +612 9757 4600 - FAX: +612 9757 4233

TOLL FREE PHONE: 1800 600 602 - TOLL FREE FAX: 1300 ADIS FAX

EMAIL: INFO@AUTODOORS.COM.AU

VISIT OUR WEBSITE: WWW.AUTODOORS.COM.AU