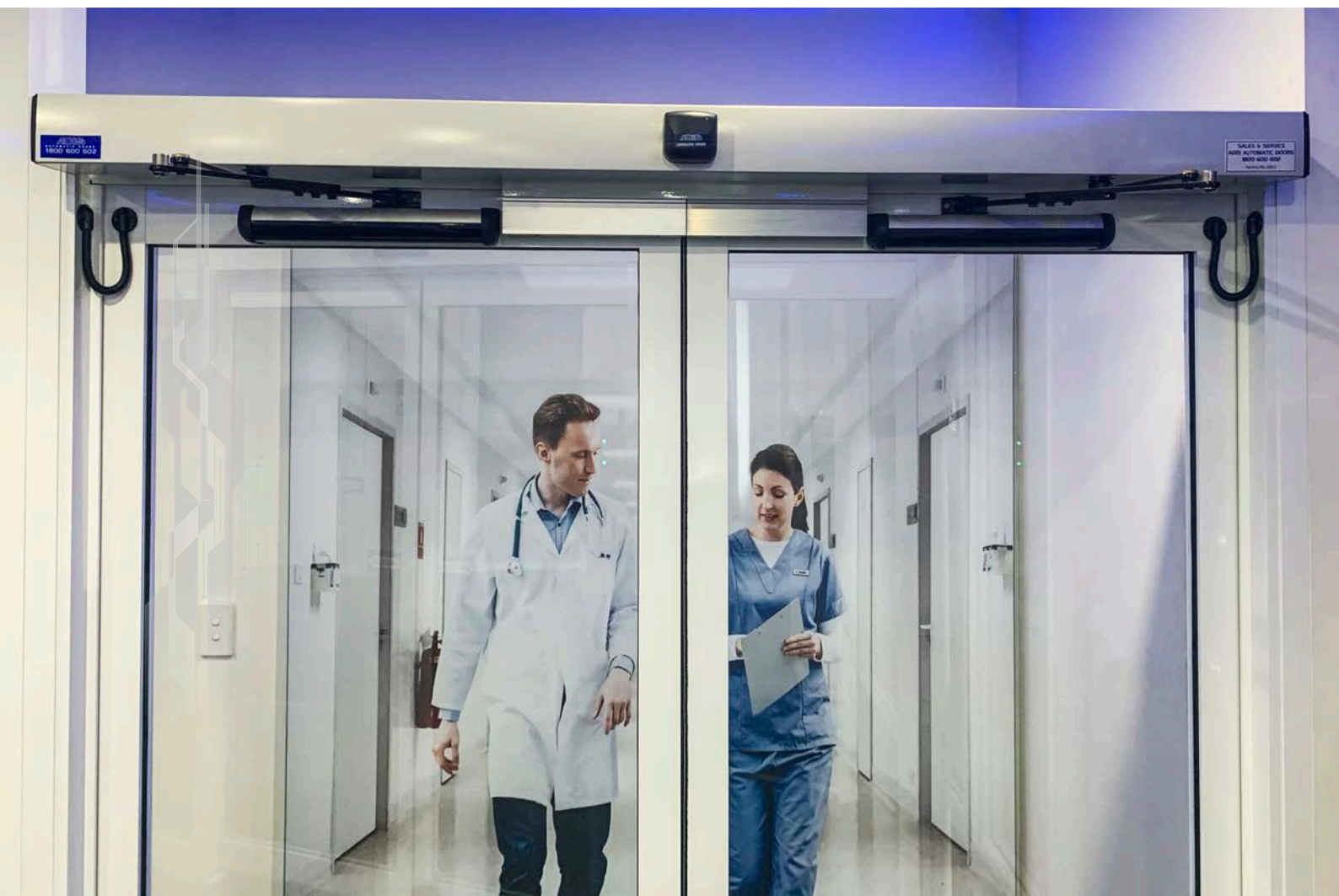
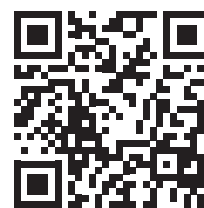


THE SLIMLINE HEAVY-DUTY DOOR OPERATOR



- **COMPLIANT:** Built to Australian Standards & NATA Certified
- **HI-TECH:** Modulised and packed with features
- **PERFORMANCE:** Up to 100kg door weight
- **VALUE FOR MONEY:** High quality and reliability at an affordable price
- **SAFETY:** The latest in sensor technology
- **TOUCHLESS:** Handwave & Sensor Options



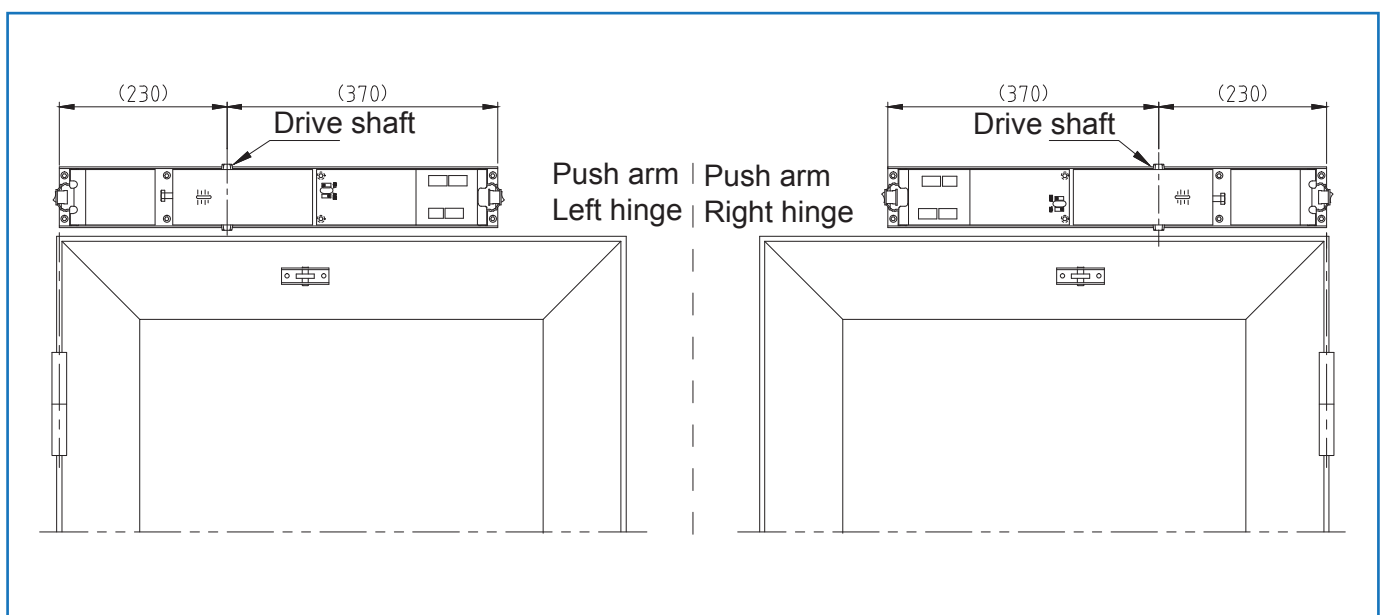
Scan Code for enquiry

THE ISWING AUTOMATIC DOOR OPERATOR OFFERS A HIGH STANDARD OF PERFORMANCE WITHIN A SLIMLINE DESIGN.

The low height of only 88mm allows the iSwing Operator to be fitted to a transom header made of two standard 400 series frames fitted together.

The system comes with both push arm and slide arm configurations, the combination of these design features and the almost silent operation of the mechanism give the doorway a seamless, “Zero Touch” operation.

Designed to comply with Australian Standards, the iSwing is packed with a multitude of features and options, from electric locks, UPS battery backup to instant access via radio transmitter remote controls.





NEW FEATURE DESIGN WITH SINGLE SAFETY COVER

ADIS now offers the option of a one piece, double door opener. This slimline option offers a single discrete cover to conceal your automation, giving a sleek modern look.

Not only is the iSwing energy-efficient, but it's also designed for smooth integration with other modern technologies such as swipe card readers and fire alarm systems.

The iSwing Door Operator complies with Australian standard AS5007 requirement for the safe operation by either of two methods.

A- The speed of the door is limited to greater than 3 seconds to open or close or.

B- Presence safety sensors are fitted to each door leaf to detect persons in the doors path whilst closing.

Electric Lock and UPS battery back-up options.

- The operator has in built circuitry to operate electric locking systems as a standard feature, various electric lock options are available to suit the design of the doorway, these include magnetic locks and electric lock latch keeper sets.
- To ensure continuous security when the door is locked and fire exit compliance the iSwing has an option for uninterrupted power supply (UPS) battery reserve backup, this optional extra allows for the doorway to be as seamless as possible and responsive to card read or fire alarm systems.



Features

- Slimline design
- Designed to comply with Aust Standards
- High security locking option
- Push n Go function
- UPS battery backup option
- Energy efficient low power consumption
- Silent operation



Technical specifications

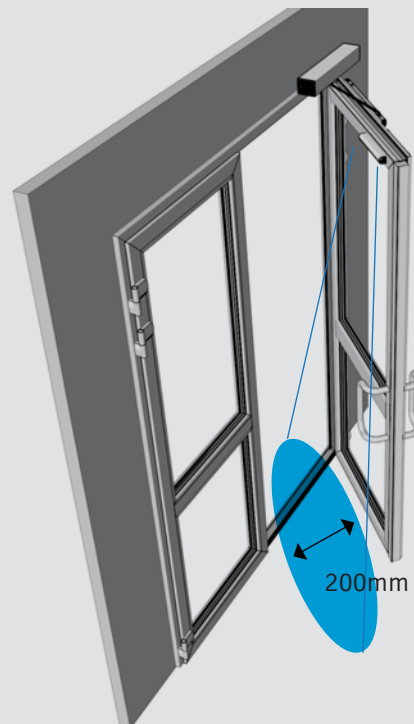
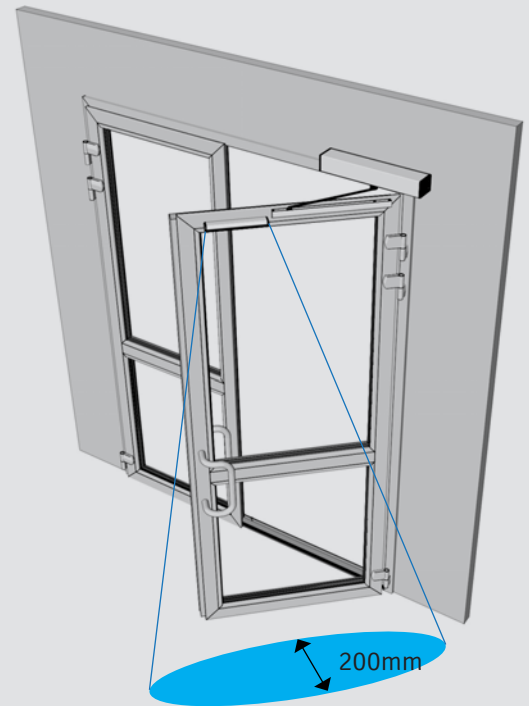
Max door width (single door)	1200 mm
Minimum door width (single door)	700 mm
Dimensions (mm)	520 L x 80 H x 95 D
Weight of operator	7 kg
Max weight per leaf	100 kg
Speed per leaf variable	3 to 7 seconds
Dwell time variable	1 to 30 seconds
Key Switch control, Auto/Lock/Open	Optional
Push and go function	Yes
Obstruction safety stop	Yes
UPS battery back up	Optional
Electric lock interface	Yes
Interlock circuitry	Yes
Radio transmitter remote control	Optional
Power supply	240v 10amp
Operating power	24v 40watts
Fire alarm activation	Yes
Card key interface	Yes
Parts Warranty	24 months
24 hour phone tech support	Yes
CE compliant	Yes

Safety Systems

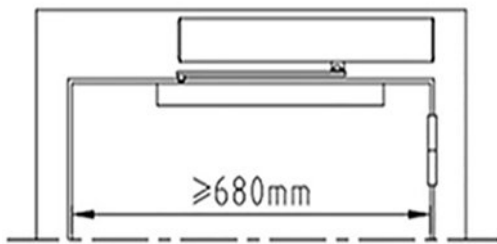
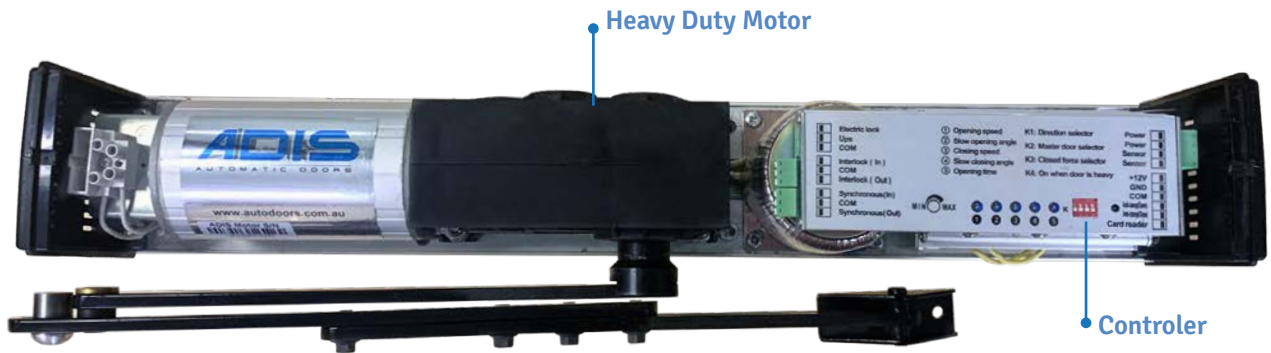
The iSwing Door Operator complies with Australian standard AS5007 requirement for the safe operation by either of two methods

- A- The speed of the door is limited to greater than 3 seconds to open or close or.
- B- Presence safety sensors are fitted to each door leaf to detect persons in the doors path whilst closing.

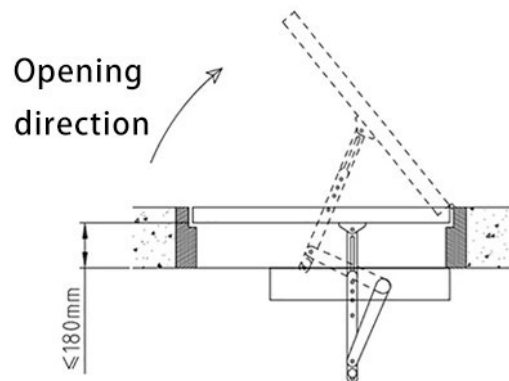
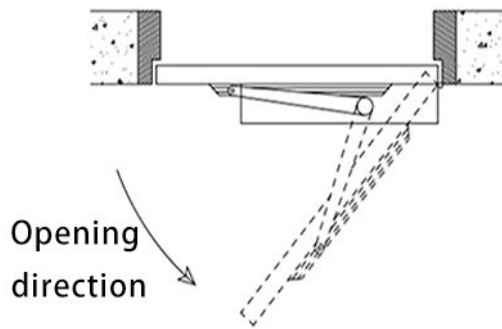
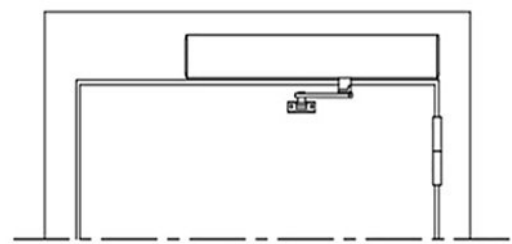
See sketch:



CONTROLS AND SETTINGS



Door span width should not be less than 680mm



The depth difference between the door and the wall should not be greater than 180mm.

ADDITIONAL OPTIONS



Electric locking

High security electric locking is available for all systems to ensure home security is a priority.



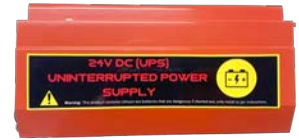
Hand-wave Sensor

Wall mounted touch-less sensor can be used to open doors via radio transmission or hard wired.



Numeric Keypad

Digital keypads allows access to selected people whilst the doors are locked.



Battery UPS

A Lithium battery UPS back up power supply ensures that the door operates for up to 28 hours during a power failure.



Sensors

Overhead mounted activation sensors come as infrared or microwave to open the doors as a person or wheel chair approaches the doorway.



Wireless Remote Control

Hand held remote controls can open and close doors plus secure them locked.



Proximity

A transmitter mounted to a wheelchair can be detected 1, 2 or 3 meters from the doorway allowing selective use of the door to just the one who needs it.



Scan Code for enquiry

ADIS
AUTOMATIC DOORS

LEADING AUTOMATIC DOOR TECHNOLOGY

To find out more about ADIS iSwing HD Operators, please contact ADIS Customer Service team on **1800 600 602** or visit **autodoors.com.au**