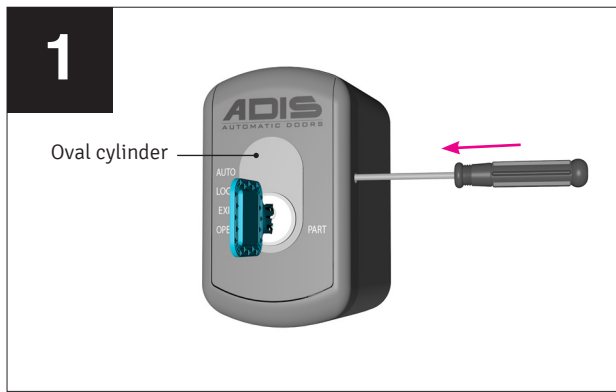
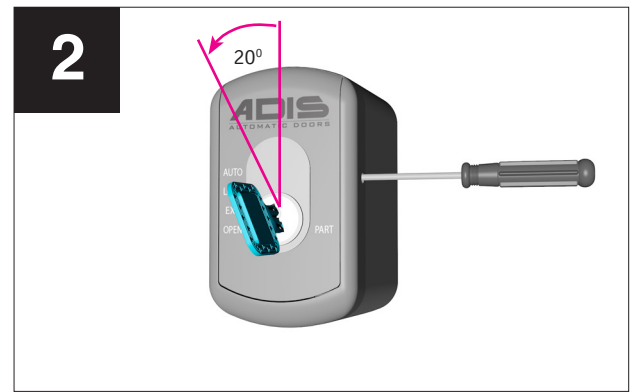


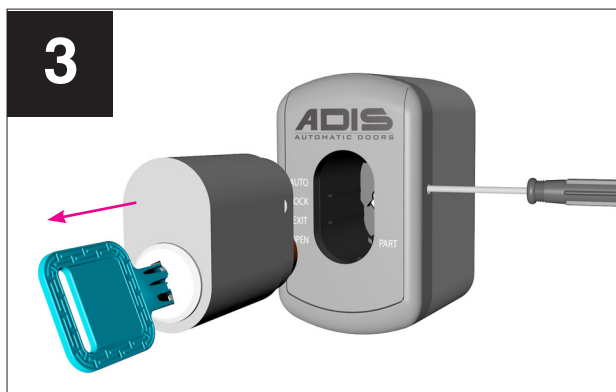
Installing the Key Switch to the Aluminium Frame.



Using a small screw driver, push in to disengage the locking pin for the oval cylinder.



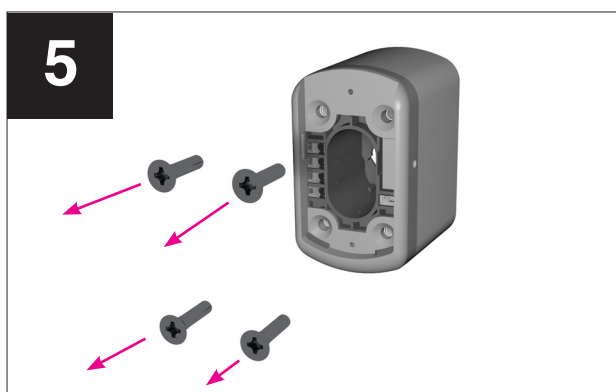
Keep holding the small screw driver in place, turn the key anti clock wise, 20 degree.



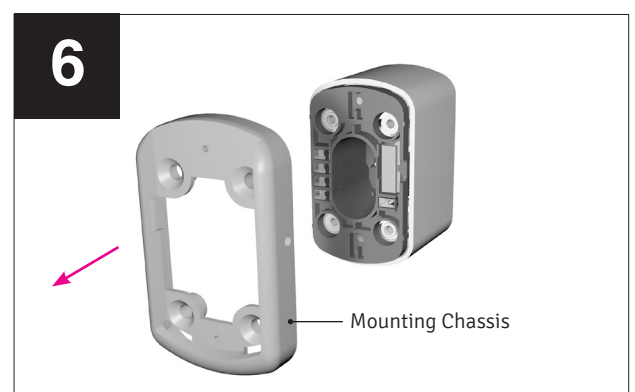
Slide out the oval cylinder.



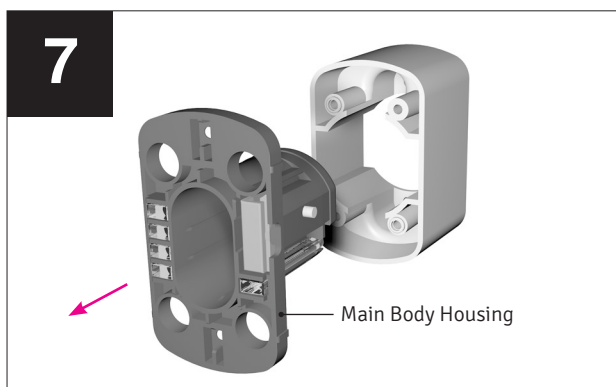
Slide out the fascia cover.



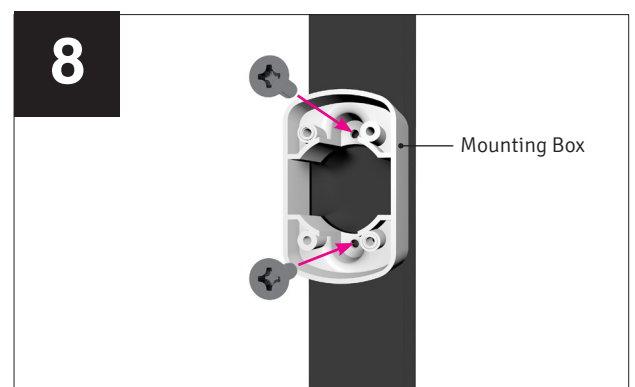
Unscrew the 4 Philips screws.



Remove the Mounting Chassis.



Remove the main body housing.



Fix the Mounting Box to the aluminium frame.