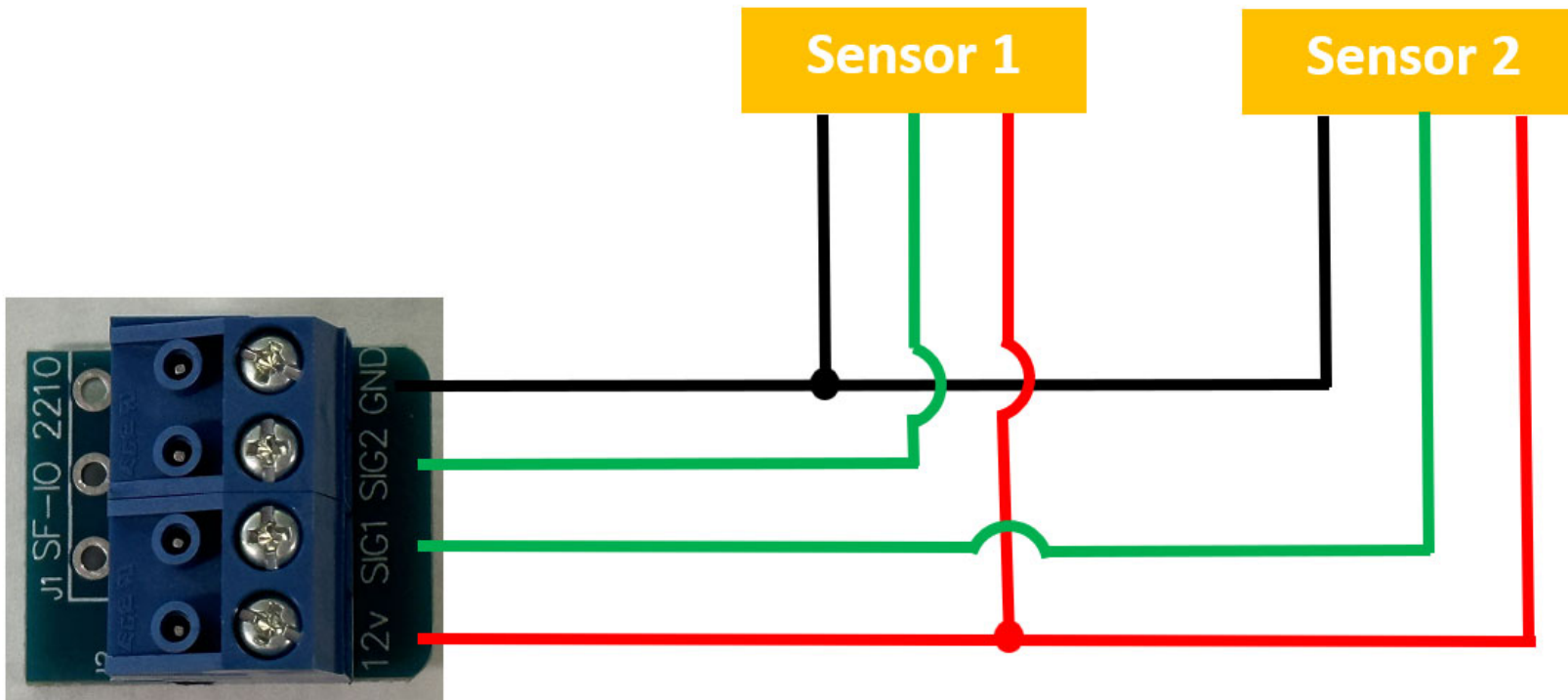


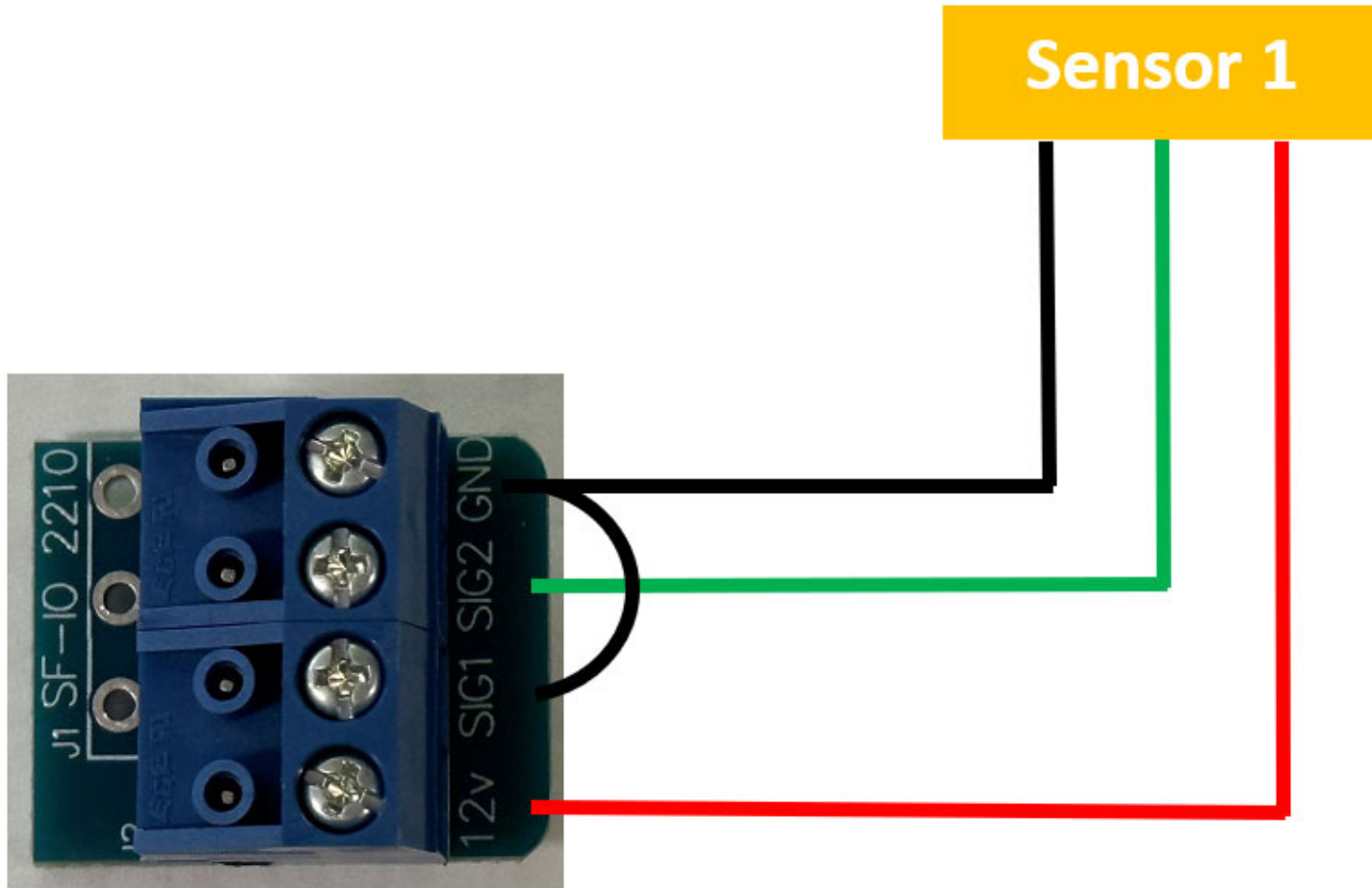
Installation manual for ADIS 2 in 1 sensor (21/Oct/2022)

1. If need to install 2 in 1 for both inside and outside, need to install this small module onto controller first, see below wiring diagram:



In the future, this small module will be pre-assembled onto board.

2. If only need 2 in 1 for one side, need to add a loop wire between GND and non-used signal, please see below wiring diagram:

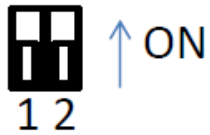


3. Install the sensors and plug the cable

4. Please see below function and cables diagram:

Sensor controls V2

Press to initiate
self calibration



DIP1:

- OFF: IR Normal sensitivity
- ON: IR Reduced sensitivity

DIP2:

- OFF: No Auto-calibration
- ON: IR Auto-calibration period 5 minute

Motion
sensor sensitivity

LED Indicator:

- BLUE: Self calibration in progress
- GREEN: Motion sensor activated
- RED: Safety sensor activated and no motion



Cable



- BLACK: Common
- RED: +12VDC
- YELLOW: MicroWave sensor (LOW when activated)
- GREEN: IR Presence sensor (HIGH when activated)

5. Testing

It is very important to press “calibration” button after first installation.

Press the “calibration” button then move away, wait for few seconds, the blue light will be on and flashing and sensor will calibrate. Default setting is auto-calibration every 5 minutes.

Both microwave and safety can change the angles and sensitivity. It is very important to have the correct angle.

If any problem during the installation, please describe the issues in detail and take some pictures or videos, send to cherry@autoslide.com.

END