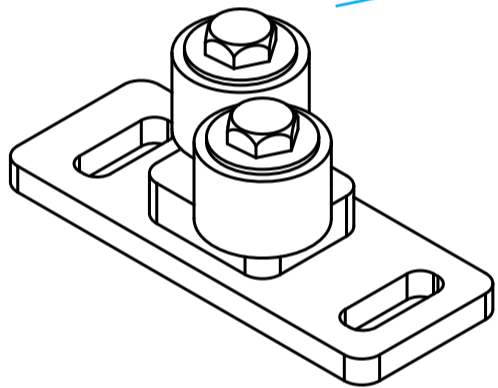
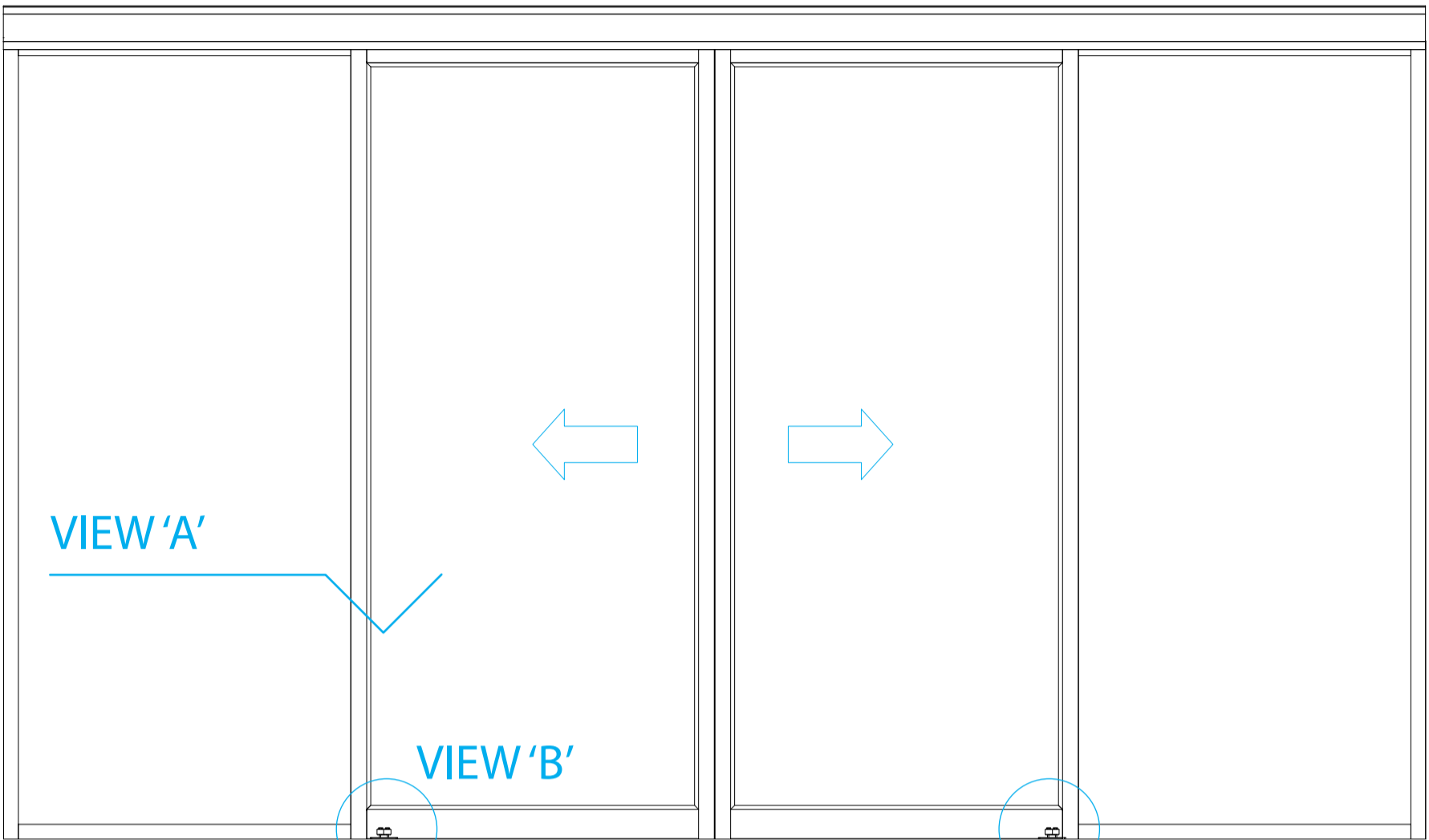
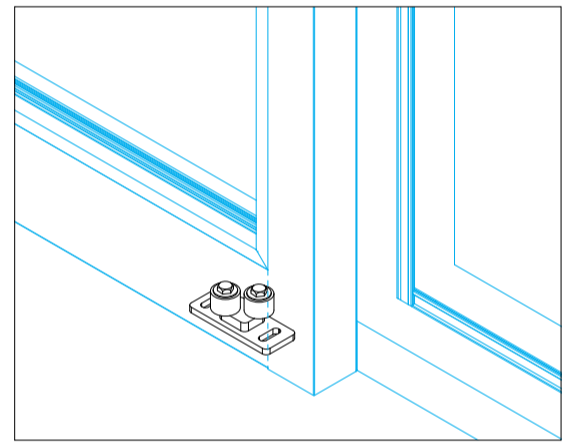


Front View (not to scale)

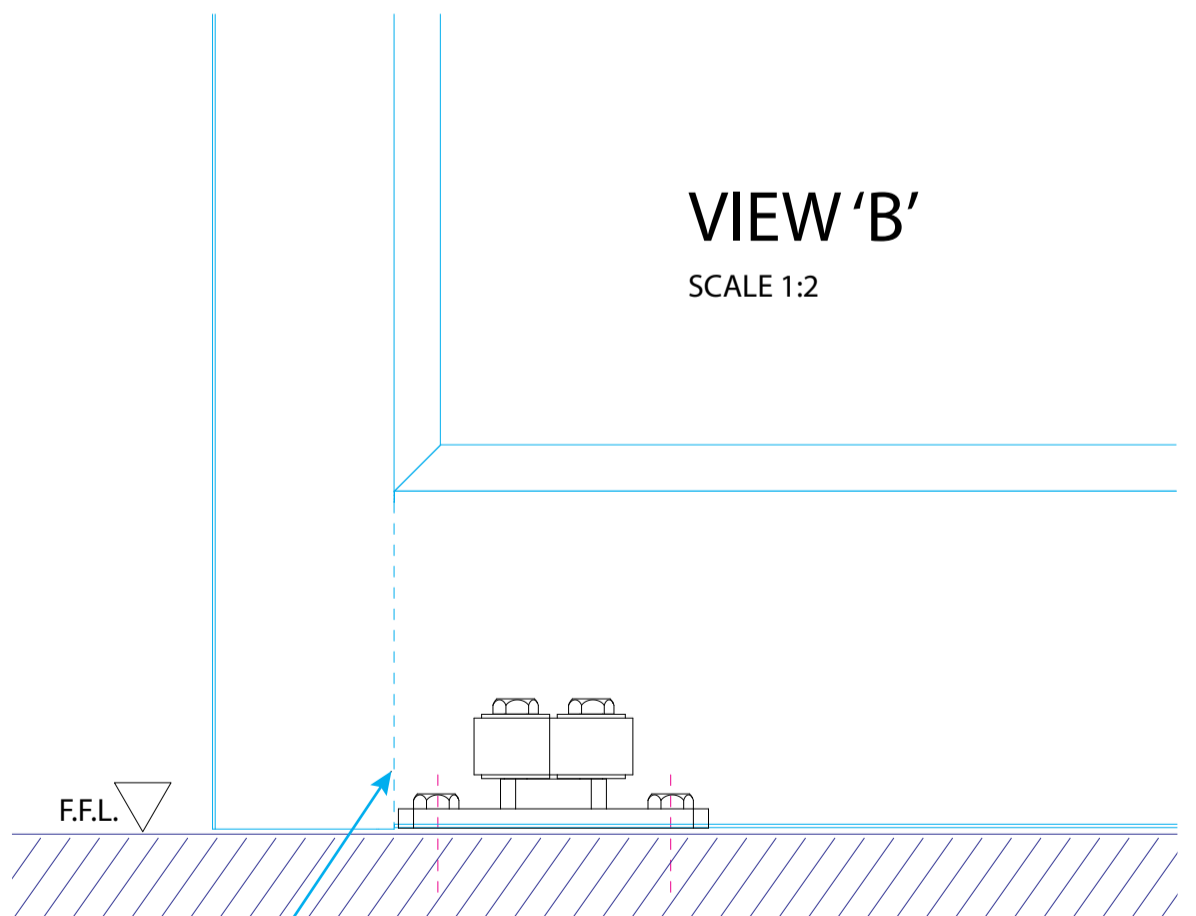


CD04 INTERNAL ROLLER GUIDE FOR ALUM. DOORS



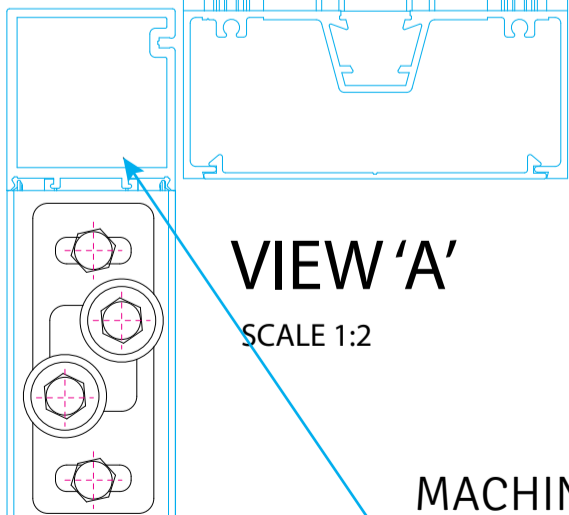
VIEW 'B'

SCALE 1:2



VIEW 'A'

SCALE 1:2



MACHINE THIS SECTION OF THE DOOR STILE FOR THE DOOR TO SLIDE TO FULL EXTENT.

TITLE NGA Elev. 2023			
LAST UPDATED 03/27/23	UNITS mm	SHEET 1 / 1	
FIRST ANGLE PROJECTION 	SCALE 1:2	SIZE A3	