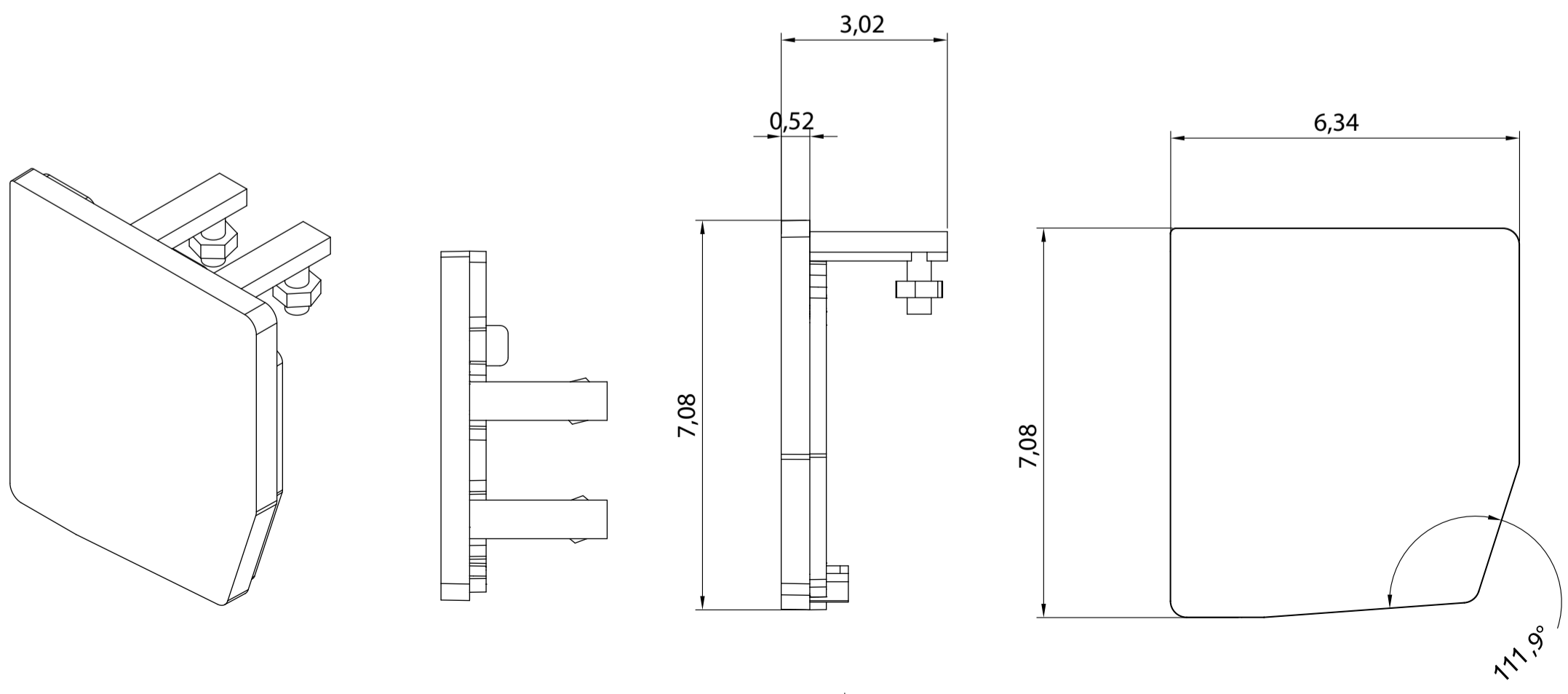
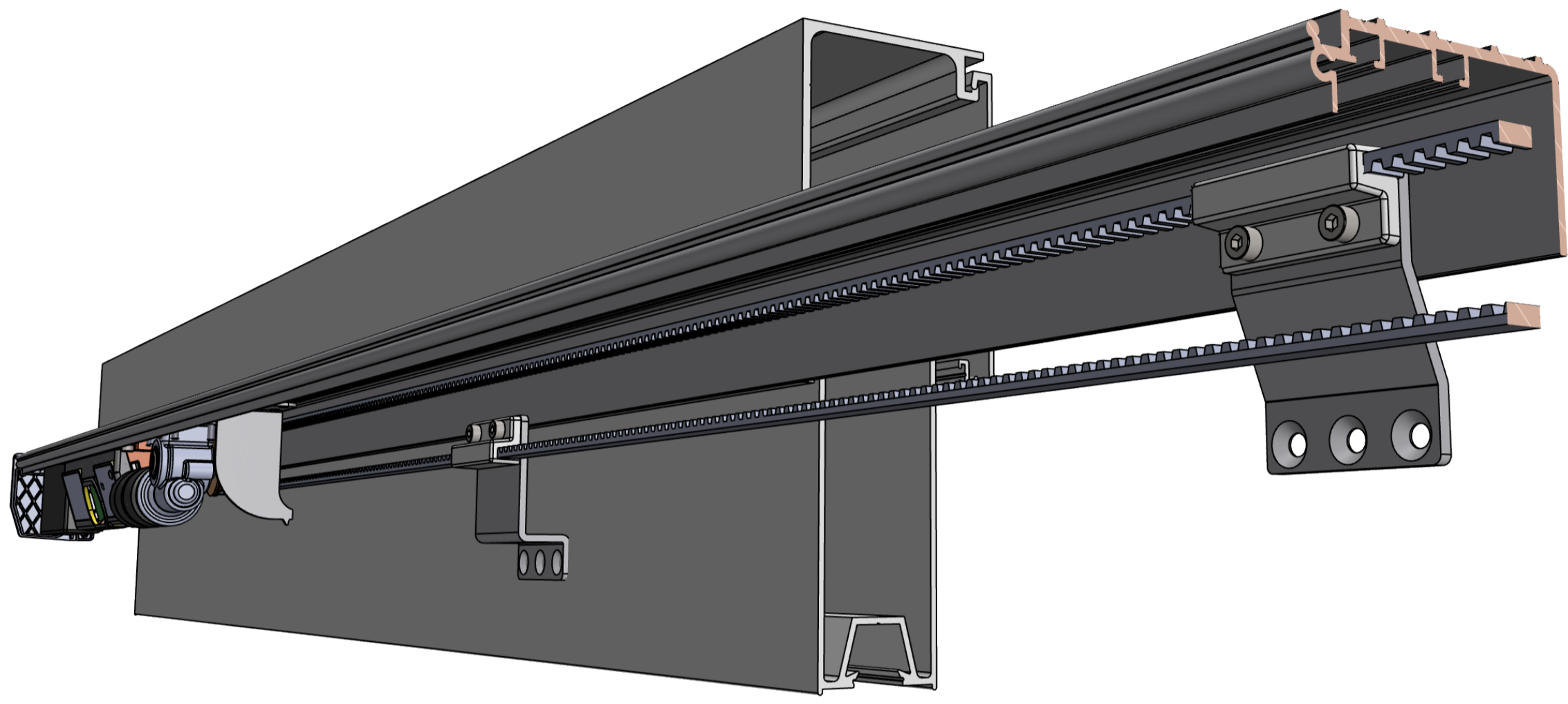
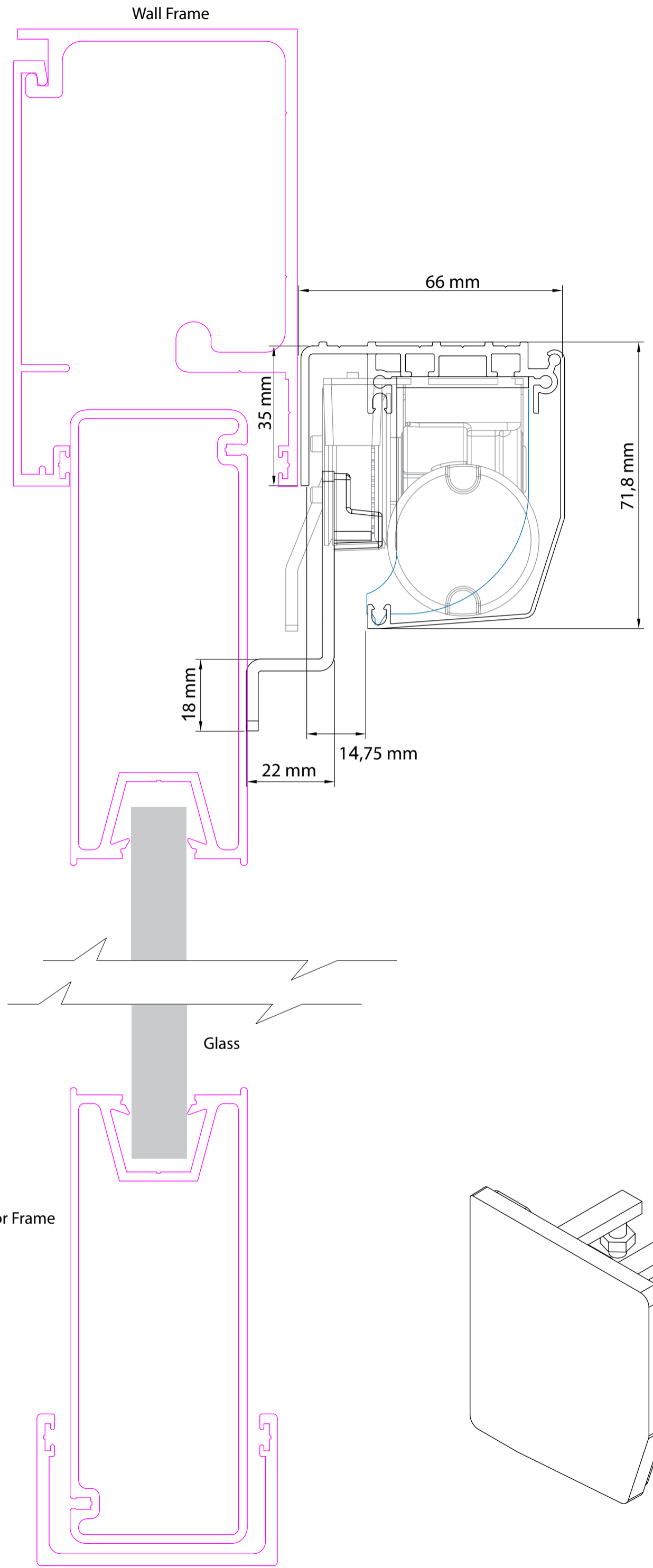
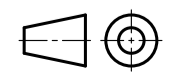


1 2 3 4 5 6 7 8 9 10 11 12

A B C D E F G H

A B C D E F G H



TITLE NG-SL Multidrive		
LAST UPDATED 03/04/24	UNITS cm	SHEET 1 / 1
FIRST ANGLE PROJECTION 	SCALE 1:1	SIZE A2

1 2 3 4 5 6 7 8 9 10 11 12