

ON HOUSE

**INNOVATIVE
INTELLIGENT**



iDoorTM

BY ADIS AUTOMATIC DOORS

STYLISH - ADVANCED - RELIABLE - SECURE

Australian standard compliant, heavy-duty automatic sliding door operator.

In the market for a new automatic sliding door operator? You've come to the right place. iDoor low-profile design offers sleek, stylish features that will make you the envy of all your neighbours while still delivering high performance at an affordable price!



A Model: Framless



F Model: Framed

iDoor models are designed for heavy duty performance at affordable prices, with the latest advances in design technology and direct marketing to trade meaning that we can pass on cost savings to you.

The iDoor system is compliant to Australian Standards AS5007-2007 and has been tested for over one million cycles under all climate categories. Purchasers can be assured that this product

will perform whenever it's needed, even in the most trying of environments!

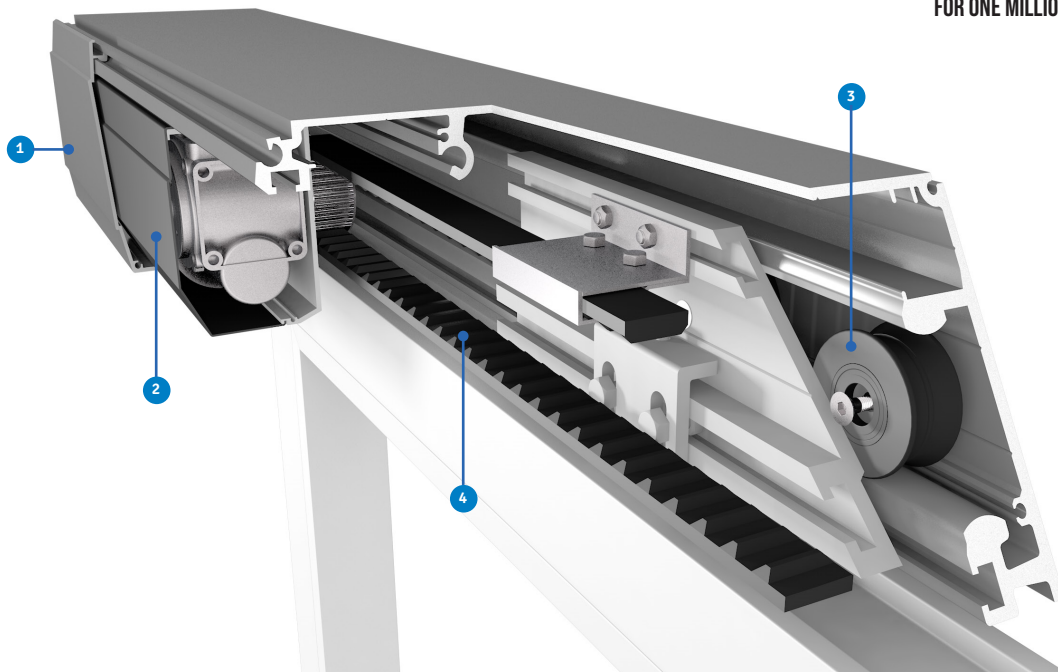
The iDoor system provides a modular design that makes installation quick and easy. With intelligent microprocessors, commissioning the door operator is simple – without needing external programmers or PIN numbers for servicing!

The iDoor operator comes standard with the following:

- Made to size track housing and pelmet up to 4.5 metres.
- A 6.7 metre length model is also available as an option.
- The pelmet cover is provided in a clear, anodized finish which can be powder coated by the fabricator to match the specified colour required.
- 2 activation sensors.
- 1 safety sensor and a digital mode control pad.
- Each iDoor operator comes with an easy-to-read step-by-step installation manual.
- Emergency power fail-safe back up battery system in compliance with building and fire codes.
- Pre-tested for more than 2 hours on simulator test rig.
- Individually assembled and packaged to customer requirements.
- Pre-wired, ready for installation.
- No third party technician is required to commission this system.
- 2 year replacement parts warranty from date of dispatch from the iDoor factory. Batteries, normal wear and tear of track wheel and floor guides is not included.
- 24 hour telephone tech-support service.
- Labour warranty is covered by the installer.
- Maintenance for the equipment can be arranged at the request of the end-user.
- The iDoor operator complies with AS 5007-2007.
- A NATA testing report is available on request.



NATA TESTED ON DOORS WEIGHING 300KG
FOR ONE MILLION CYCLES COMPLIANCE
WITH AS 5007

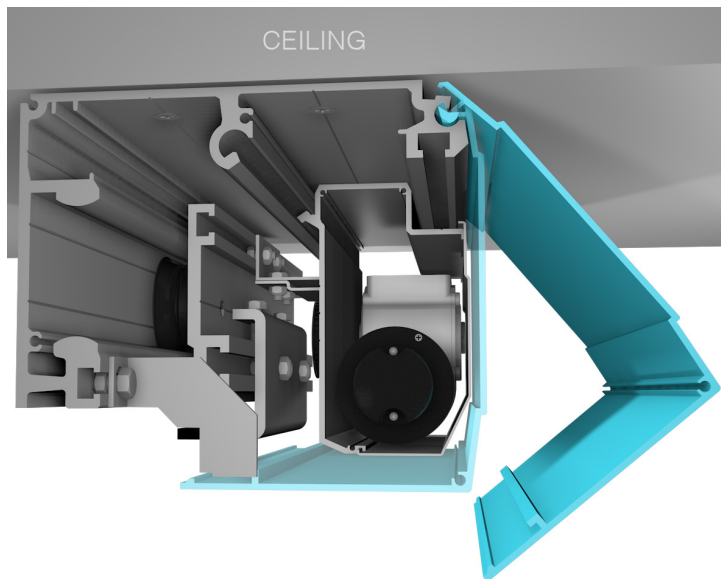


OPERATOR FEATURES

1. iDoor unique environmental protection cover
2. iDoor digital microprocessor controlled drive module which contains all of the operating component in a single housing for ease of service and maintenance.
3. Heavy duty concave track wheels
6 wheels per door.
4. High tension reinforced fiber toothed belt for quiet operation and maximum durability.

OTHER FEATURES

- Australian made and owned
- NATA tested for Australian standards
- Easy to install design
- High security, electric motor locking
- No exposed wiring
- Energy efficient/low power usage



PELMET HINGE

The iDoor pelmet design features a unique interlocking hinge to provide secure closure and maximum cover even when mounted hard up against the ceiling.

The design enables the operator to be fitted flush to the ceiling when required, while the pelmet may be opened fully or removed for access.

MODE PAD FEATURES

AUTO

In this mode the doors will open and close automatically subject to the sensors activating upon the approach of pedestrians.

HOLD OPEN

The door will open and stay open allowing access for furniture removal or cleaning of glass, if the door shows any form of malfunction this mode should be selected to ensure pedestrian safety until repaired.

CLIMATE

Restricts the doors from opening to half its normal open position, this preset feature aids with the loss of A/C and lowers wind penetration; the opening distance is adjustable by a technician.



LOCK

This mode will bring the doors to the closed position, deactivating the sensors allowing the doors to be manually locked. If electric locking system is fitted the doors will dead lock awaiting activation by the exit push button or an access control system (Supplied by others).

EXIT ONLY

The external sensor is disabled allowing only operation from the interior; this mode is used to restrict entry while still allowing persons to exit.

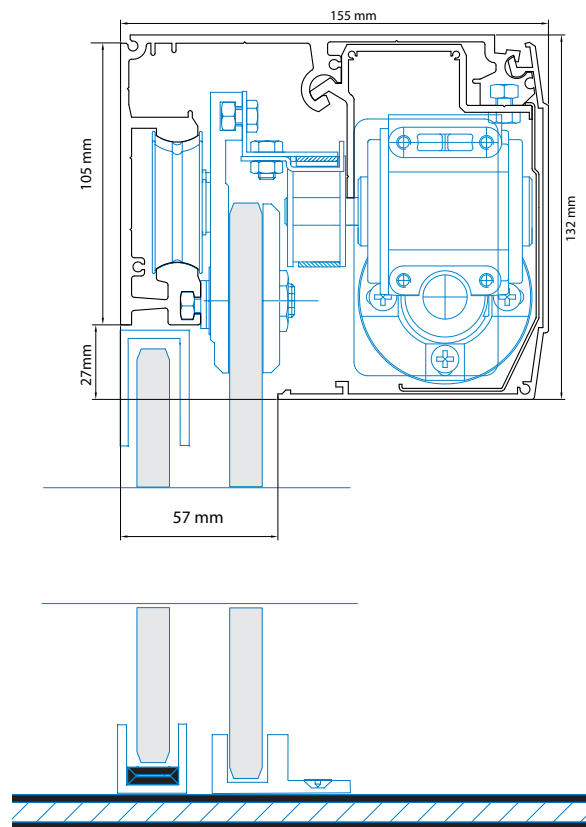
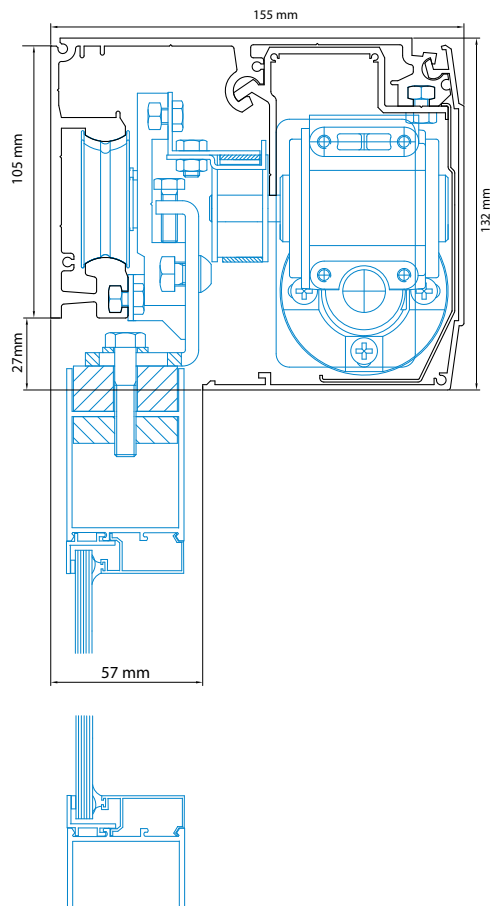
OFF

In this mode the motor control of the door is set to neutral, allowing manual operation of the doors.

HIGH SECURITY LOCKING

Electric lock option is Standard giving total security and can be adapted where manual locking can not be achieved, i.e. frameless toughened glass doors. The microprocessor monitors all aspects of the lock functions e.g. to ensure the door is fully closed when the lock is engaged.





Compare iDOOR Advantages

- NATA tested with 300kg doors to comply with Australian Standards
- iDoor is Australian owned and Australian manufactured.
- Slim line modern design only 132 mm in overall track height.
- Compact modular design of motor drive system.
- Latest digital microprocessor for precise control of the door operator.
- Provision to interface with building security and fire systems.
- Over engineered to take total door weights of up to 300Kg (max single leaf door weight of 150 Kg).
- The main transom housing is hard coated anodized to give smooth operation of the exclusive dual track system.
- No exposed wiring due to concealed wiring system.
- UPS Lithium (Uninterrupted Power Supply) can allow doors to continue to operate under a power failure. This optional extra allows the iDoor A/F Model operator to work 800 cycles or 28 hours during a disruption.
- Improved multiple safety features to ensure maximum user safety.
- High security electric motor locking system with battery reserve back up.
- Zone activation sensor system that uses latest presence detection technology to improve overall safety.
- Unique interlocking cover pelmet which prevents any chances of pelmet cover dislodging from the main track system. An added safety feature.

Technical specifications

Opening width maximum	4000 mm
Operator length up to	8000 mm
Total combined weight for bi-parting doors	300 Kg
Door weight per leaf	150 Kg
Opening speed per double leaf variable	25-1300 mm/s
Closing speed per double leaf variable	25-1300 mm/s
Door open dwell time, variable	0-60 sec
Manual opening/ closing force	<30 N
Operator size height/depth	132 mm / 155 mm
Fail safe	Yes
High security electric locking	Standard
Lock every cycle option when motor lock used	Yes
Press closed function	Yes
Climate control (reduced opening) function	Yes
Noise attenuation	32 db
Keypad control	Yes
Safety stop	Yes
Safety return	Yes
Safety beam shut off when closed	Yes
Fire alarm activation	Yes
Chime outlet	Yes
Exit only function	Yes
Emergency Backup	Yes
UPS Lithium, high capacity battery back up	Optional
Closed position signal	Yes
Open position signal	Yes
Open Monitor signal	Yes
Memory setting retained without power	Yes
Operating Power	24 Volts
Appliance Rating	40 Watts
Power supply	240V/10Amp
4Kva power surge suppression	Yes